

Ultrasonic sensor **UR30-CM4** series

**Feature Description**

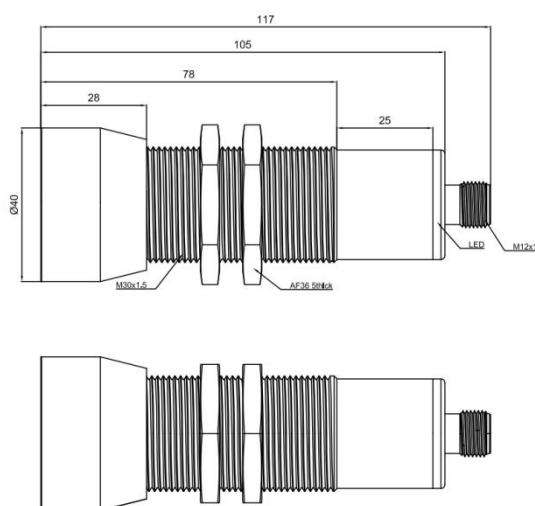
- ◆ M30 installation threaded sleeve
- ◆ Extended long distance detection
- ◆ 1 NPN or PNP switch output
- ◆ Analog voltage output 0-5/10V or analog current output 4-20mA
- ◆ Digital TTL output
- ◆ Output can be changed through serial port upgrade
- ◆ Setting detection distance through teach-in lines
- ◆ Temperature compensation

**Model specifications**

NPN	NO/NC	UR30-CM4DNB-E2	PNP	NO/NC	UR30-CM4DPB-E2
NPN	Hysteresis mode	UR30-CM4DNH-E2	PNP	Hysteresis mode	UR30-CM4DPH-E2
0-5V	Analog output	UR30-CM4DU5-E2	4-20mA	Analog output	UR30-CM4DI-E2
0-10V	Analog output	UR30-CM4DU10-E2	Com	TTL232	UR30-CM4DT-E2

**Specifications**

Sensing range	200-4000mm	Indication	LED red light: No target detected in teach-in state, always on LED yellow light: In normal working mode, the switch status LED blue light: Target detected in teach-in state, flashing LED green light: Power indicator light, always on
Blind area	0-200mm	Input type	With teach-in function
Resolution ratio	1mm	Ambient temperature	-25°C...70°C(248-343K)
Repeat accuracy	±0.15% of full scale value	Storage temperature	-40°C...85°C(233-358K)
Absolute accuracy	±1% (temperature drift compensation)	Characteristics	Support serial port upgrade and change the output type
Response time	300ms	Material	Copper nickel plating, plastic accessory
Switch hysteresis	2mm	Protection degree	IP67
Switching frequency	3Hz	Connection	4 pin M12 connector
Power on delay	<500ms		
Working voltage	9...30VDC		
No-load current	≤25mA		

**Dimension**

**Wiring diagram**
