

## UR Single or double sheet series



### Feature Description

- ◆ 3-way control outputs
- ◆ Learning single sheet based on any materials
- ◆ 3-way NPN/PNP output
- ◆ Testing single and double sheets of various materials
- ◆ Output can be changed through serial port upgrade
- ◆ Implement learning functions for different materials through teach-in lines
- ◆ Temperature compensation

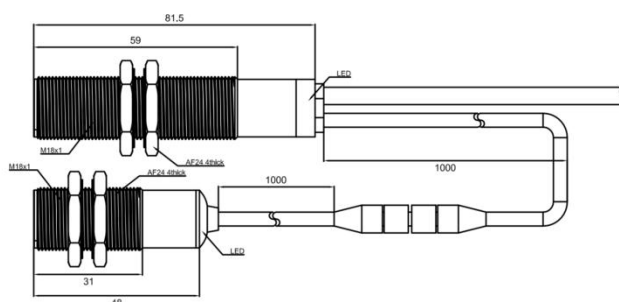
### Model specifications

NPN NO	UR18-DC60D3NO	PNP NO	UR18-DC60D3PO
NPN NC	UR18-DC60D3NC	PNP NC	UR18-DC60D3PC

### Specifications

Sensing range	30-60mm	Input type	With teach-in function
Detection	Non-contact type	Indication	LED green light: single sheet detected LED yellow light: no target (air) LED red light: double sheets detected
Resolution ratio	1mm	Ambient temperature	-25°C...70°C(248-343K)
Impedance	>4kΩ	Storage temperature	-40°C...85°C(233-358K)
Drop	<2V	Characteristics	Support serial port upgrade and change the output type
Response delay	About 15ms	Material	Copper nickel plating, plastic accessory
Judgment delay	About 15ms	Protection degree	IP67
Power on delay	<300ms	Connection	2m PVC cable
Working voltage	18...30VDC		
No-load current	<50mA		
Type of output	3 way PNP/NPN		

### Dimension



### Wiring diagram

