

Ultrasonic sensor **UR18-CC50** series

Feature Description

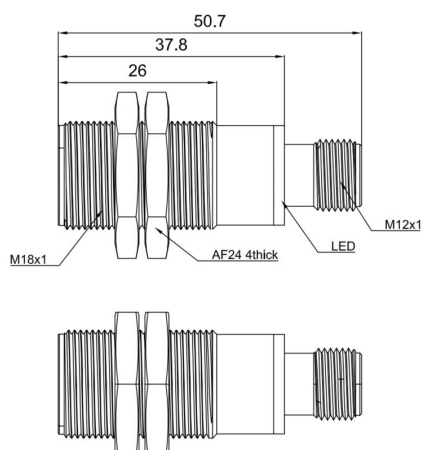
- ◆ M18 installation threaded sleeve, with a minimum length of 40mm
- ◆ Small blind spot and sound cone, suitable for close range fine detection
- ◆ 1 NPN or PNP switch output
- ◆ Analog voltage output 0-5/10V or analog current output 4-20mA
- ◆ Output can be changed through serial port upgrade
- ◆ Setting detection distance through teach-in lines
- ◆ Temperature compensation

Model specifications

| | | | | | |
|-------|-----------------|------------------|--------|-----------------|-----------------|
| NPN | NO/NC | UR18-CC50DNB-E2 | PNP | NO/NC | UR18-CC50DPB-E2 |
| NPN | Hysteresis mode | UR18-CC50DNH-E2 | PNP | Hysteresis mode | UR18-CC50DPH-E2 |
| 0-5V | Analog output | UR18-CC50DU5-E2 | 4-20mA | Analog output | UR18-CC50DI-E2 |
| 0-10V | Analog output | UR18-CC50DU10-E2 | | | |

Specifications

| | | | |
|---------------------|---------------------------------------|---------------------|--|
| Sensing range | 40-500mm | Protection circuit | Reverse connection,digital overvoltage protection |
| Blind area | 0-40mm | Indication | LED Red: NO, no target detected |
| Resolution ratio | 0.17mm | | Flashing, no target detected in teach-in state |
| Repeat accuracy | ± 0.15% of full scale value | | LED Yellow: NO, detected target within A1-A2 range |
| Absolute accuracy | ± 1% (temperature drift compensation) | | Flashing, target detected in teach-in state |
| Response time | 50ms | Input type | With teach-in function |
| Switch hysteresis | 2mm | Ambient temperature | -25°C...70°C (248-343K) |
| Switching frequency | 20Hz | Storage temperature | -40°C...85°C (233-358K) |
| Power on delay | <500ms | Characteristics | Support serial port upgrade and change the output type |
| Working voltage | 15...30VDC | Material | Copper nickel plating, plastic accessory |
| No-load current | ≤25mA | Protection degree | IP67 |
| Load resistance | U/1k Ohm | Connection | 4 pin M12 connector |

Dimension

Wiring diagram
