

Ultrasonic sensor **UR18-CC15** series

Feature Description

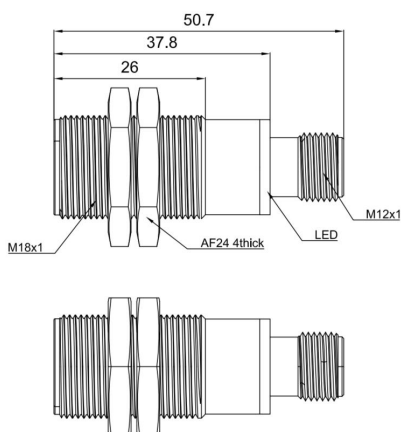
- ◆ M18 installation threaded sleeve, with a minimum length of 40mm
- ◆ Small blind spot and sound cone, suitable for close range fine detection
- ◆ 1 NPN or PNP switch output
- ◆ Analog voltage output 0-5/10V or analog current output 4-20mA
- ◆ Output can be changed through serial port upgrade
- ◆ Setting detection distance through teach-in lines
- ◆ Temperature compensation

Model specifications

NPN	NO/NC	UR18-CC15DNB-E2	PNP	NO/NC	UR18-CC15DPB-E2
NPN	Hysteresis mode	UR18-CC15DNH-E2	PNP	Hysteresis mode	UR18-CC15DPH-E2
0-5V	Analog output	UR18-CC15DU5-E2	4-20mA	Analog output	UR18-CC15DI-E2
0-10V	Analog output	UR18-CC15DU10-E2			

Specifications

Sensing range	20-150mm	Protection circuit	Reverse connection, digital overvoltage protection
Blind area	0-20mm	Indication	LED Red: NO, no target detected
Resolution ratio	0.17mm		Flashing, no target detected in teach-in state
Repeat accuracy	± 0.15% of full scale value		LED Yellow: NO, detected target within A1-A2 range
Absolute accuracy	± 1% (temperature drift compensation)		Flashing, target detected in teach-in state
Response time	50ms	Input type	With teach-in function
Switch hysteresis	2mm	Ambient temperature	-25°C...70°C (248-343K)
Switching frequency	20Hz	Storage temperature	-40°C...85°C (233-358K)
Power on delay	<500ms	Characteristics	Support serial port upgrade and change the output type
Working voltage	15...30VDC	Material	Copper nickel plating, plastic accessory
No-load current	≤25mA	Protection degree	IP67
Load resistance	U/1k Ohm	Connection	4 pin M12 connector

Dimension

Wiring diagram
