

Ultra-thin photoelectric sensor PSW series



Features

- Side sensing
- Small size, easy to install and use
- Bright LED indicator visible at 360°
- Good resistance to light interference, high product stability
- Red light source, easy to adjust the product alignment



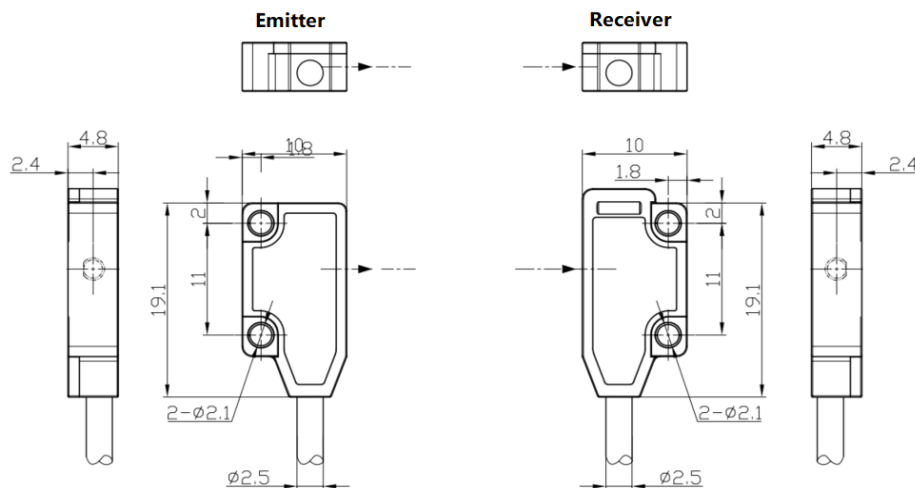
Part number

	Emitter		Receiver	
NPN NO	PSWS-TC50DR	PSWS-TC50DNOR	PNP NO	PSWS-TC50DR
NPN NC	PSWS-TC50DR	PSWS-TC50DNCR	PNP NC	PSWS-TC50DR

Specification

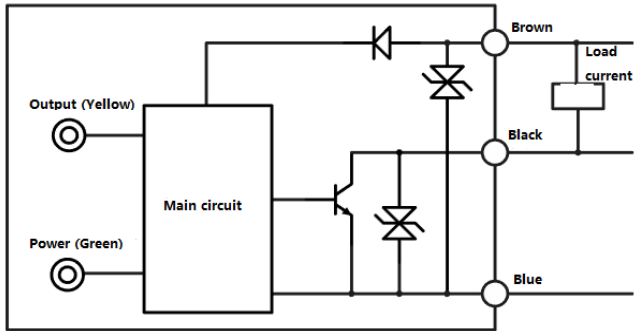
Sensing distance	50cm	Repeated accuracy	0.05mm
Standard target	2mm above opaque objects	Response time	<1ms
Emission Angle	9-13°	Anti ambient light	Sunshine interference <10000 lux; incandescent light interference < 3000 lux
Light spot size	10cm@50cm	Ambient temperature	-20...55 °C (no icing, no condensation)
Supply voltage	10...30V DC	Storage temperature	-30...70(noicing, nocondensation)
Current consumption	Emitter: ≤10mA; Receiver: ≤15mA	Protection degree	IP65
Load current	≤50mA	Housing material	PC (Top cover) +PBT (Bottom housing)
Voltage drop	<1.5V	Lens	PC
Light source	Red light (635nm)	Weight	20g
Protection circuit	Short-circuit, overload, Zener and polarity protection	Connection	2m PVC cable
Indicator	Green:Power supply indicator, stability indicator(flicker); Yellow:Output indicator, short circuit indicator(flicker)	Accessory	M2 Screws (Length 8mm) x2, Nutx2

Dimension

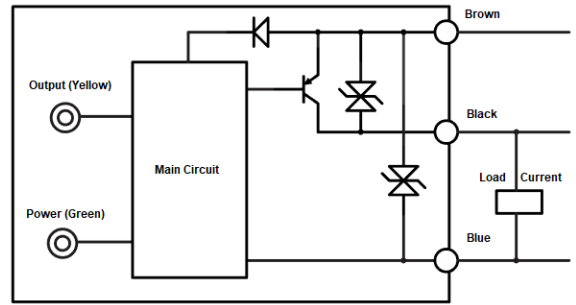


Wiring

Receiver



NPN



PNP

Emitter

