

Plastic square shape photoelectric sensors **PTL** series


Features

- ◆ Retro reflection working principle;
- ◆ Excellent anti-interference performance
- ◆ High detection accuracy

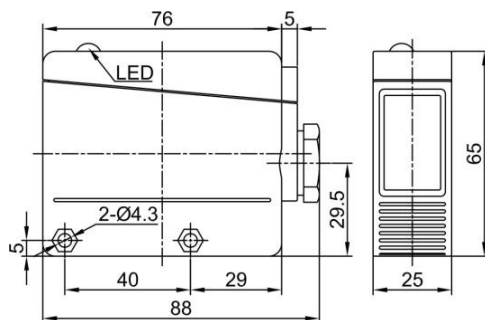
Part number

Relay output PTL-DM5SKT3-D

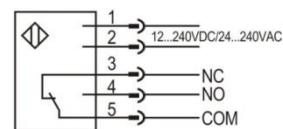
Technical specifications

Detection type	Retro reflection	Consumption current	≤35mA
Rated distance [Sn]	5m (non-adjustable)	Circuit protection
Standard target	TD-05 reflector	Response time	< 30ms
Light source	Infrared LED (880nm)	Output indicator	Yellow LED
Dimensions	88mm *65 mm *25mm	Ambient temperature	-15°C...+55°C
Output	Relay output	Ambient humidity	35-85%RH (non-condensing)
Supply voltage	24...240VAC/12...240VDC	Voltage withstand	2000V/AC 50/60Hz 60s
Target	Opaque object	Insulation resistance	≥50MΩ(500VDC)
Hysteresis range [%/Sr].....		Vibration resistance	10...50Hz (0.5mm)
Repeat accuracy [R]	≤5%	Degree of protection	IP67
Load current	≤3A	Housing material	PC/ABS
Residual voltage	Connection type	Terminal
Delay time	0.1...5s(P2 Potentiometer)		

Dimensions



Wiring diagram



Relay output