

Plastic square shape photoelectric sensors PTL series



Features

- ◆ Retro reflection working principle;
- ◆ Excellent anti-interference performance
- ◆ High detection accuracy



Part number

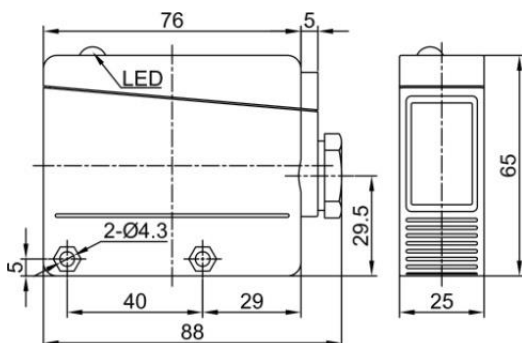
NPN NO+NC PTL-DM5DNRT3-D

PNP NO+NC PTL-DM5DPRT3-D

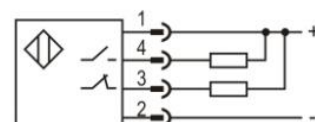
Technical specifications

| | | | |
|-------------------------------|----------------------------|-----------------------|--|
| Detection type | Retro reflection | Consumption current | ≤25mA |
| Rated distance [Sn] | 5m (non-adjustable) | Circuit protection | Short-circuit, overload and reverse polarity |
| Standard target | TD-05 reflector | Response time | < 8.2ms |
| Light source | Infrared LED (880nm) | Output indicator | Yellow LED |
| Dimensions | 88mm *65 mm *25mm | Ambient temperature | -15°C...+55°C |
| Output | NO+NC | Ambient humidity | 35-85%RH (non-condensing) |
| Supply voltage | 10...30 VDC | Voltage withstand | 1000V/AC 50/60Hz 60s |
| Target | Opaque object | Insulation resistance | ≥50MΩ(500VDC) |
| Hysteresis range [%/Sr] | | Vibration resistance | 10...50Hz (0.5mm) |
| Repeat accuracy [R] | ≤5% | Degree of protection | IP67 |
| Load current | ≤200mA | Housing material | PC/ABS |
| Residual voltage | ≤2.5V | Connection type | Terminal |
| Delay time | 0.1...5s(P2 Potentiometer) | | |

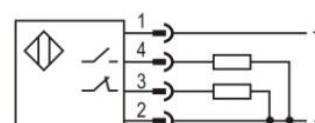
Dimensions



Wiring diagram



NPN NO+NC



PNPNO+NC