

Metal cylindrical shape photoelectric sensors **PR30** series


Features

- ◆ Retro reflection working principle;
- ◆ Excellent anti-interference performance
- ◆ High detection accuracy



Part number

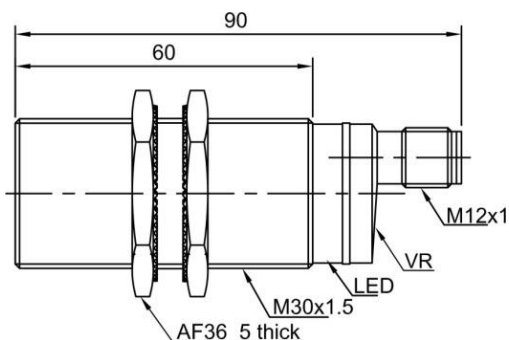
AC 2 wires NO PR30-DM5ATO-E2

AC 2 wires NC PR30-DM5ATC-E2

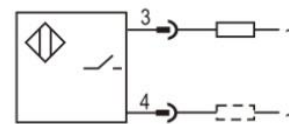
Technical specifications

Detection type	Retro reflection	Consumption current	≤3mA
Rated distance [Sn]	5m (adjustable)	Circuit protection
Standard target	TD-09 reflector	Response time	< 50ms
Light source	Infrared LED (880nm)	Output indicator	Yellow LED
Dimensions	M30*90mm	Ambient temperature	-15°C...+55°C
Output	NO/NC (depends on part No.)	Ambient humidity	35-85%RH (non-condensing)
Supply voltage	20...250 VAC	Voltage withstand	2000V/AC 50/60Hz 60s
Target	Opaque object	Insulation resistance	≥50MΩ(500VDC)
Hysteresis range [%/Sr]	Vibration resistance	10...50Hz (0.5mm)
Repeat accuracy [R]	≤5%	Degree of protection	IP67
Load current	≤300mA	Housing material	Nickel-copper alloy
Residual voltage	≤10V	Connection type	M12 Connector

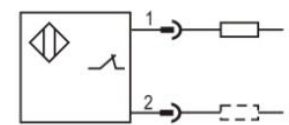
Dimensions



Wiring diagram



NO



NC

