

Plastic square shape photoelectric sensors PSE series



Features

- Universal housing, an ideal replacement for a wide range of sensor types;
- IP67, suitable for harsh environments;
- One-click distance setting, accurate and fast;
- Suitable for the detection of high light objects and some transparent objects;
- NO and NC are switchable.

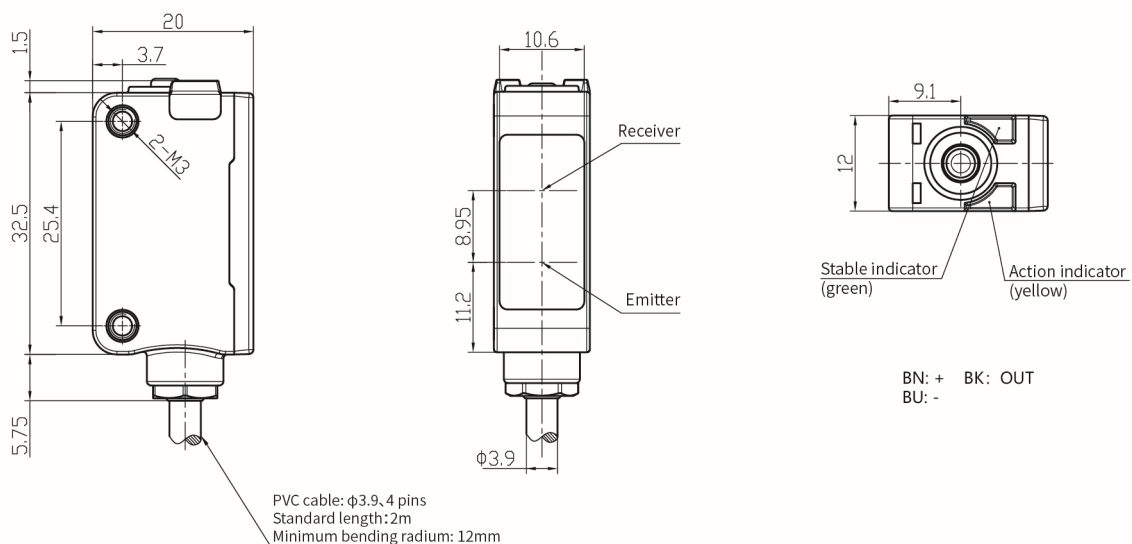


Model			
NPN NO/NC	PSE-PM3DNBR	PNP NO/NC	PSE-PM3DPBR

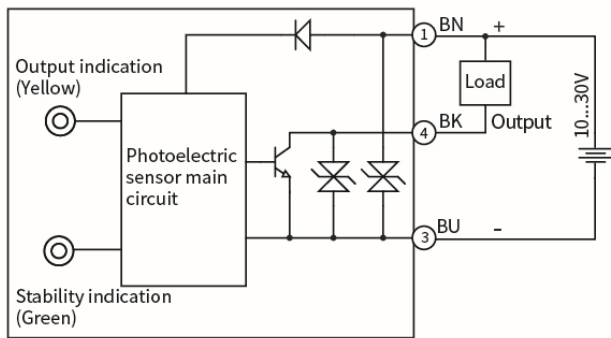
Specifications			
Detection type	Polarized reflection	Indicator	Green light: power, stable signal (unstable signal flash)
Rated distance	3m*		Yellow light: output, overload or short circuit (flash)
Output	NPN NO/NC or PNP NO/NC	Anti-ambient light	Anti-sunlight interference $\leq 10,000\text{lux}$;
Response time	$\leq 1\text{ms}$		Incandescent light interference $\leq 3,000\text{lux}$
Supply voltage	10...30 VDC	Operating temperature	$-25^{\circ}\text{C} \dots 55^{\circ}\text{C}$
Consumption current	$\leq 25\text{mA}$	Storage temperature	$-25^{\circ}\text{C} \dots 70^{\circ}\text{C}$
Load current	$\leq 200\text{mA}$	Protection degree	IP67
Voltage drop	$\leq 1\text{V}$	Certification	CE
Light source	Red light(640nm)	Production standard	EN60947-5-2:2012、IEC60947-5-2:2012
Circuit protection	Short-circuit, overload, reverse polarity and	Weight	50g
	zener protection	Connection	2m PVC cable
Material	Housing: PC+ABS; Filter: PMMA		
NO/NC adjustment	Press the button for 5...8s, when the yellow and green light flash synchronously at 2Hz, and lift. Finish state switch.		
Distance adjustment	Press the button for 2...5s, when the yellow and green light flash synchronously at 4Hz, and lift to finish the distance setting.		
	If the yellow and green light flash asynchronously @8Hz for 3s, setting fails and the product distance goes to the maximum.		

*The data is the result for Lanbao PSE polarized reflection sensor with standard reflector TD-09.

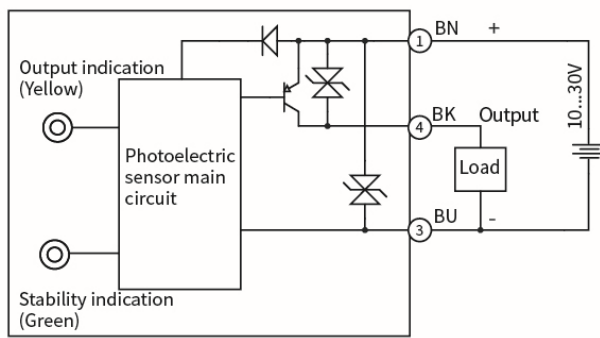
Dimensions



Circuit Diagrams



NPN



PNP