

# Miniature photoelectric sensor PST



## Feature description

- M3 threaded cylindrical installation, small size, easy to install and use
- With 360° visible bright LED status indicator
- Good anti-light interference, high product stability
- Small spot, stable detection of small objects
- Good background suppression and color sensitivity, stable detection of black objects



## Model specification

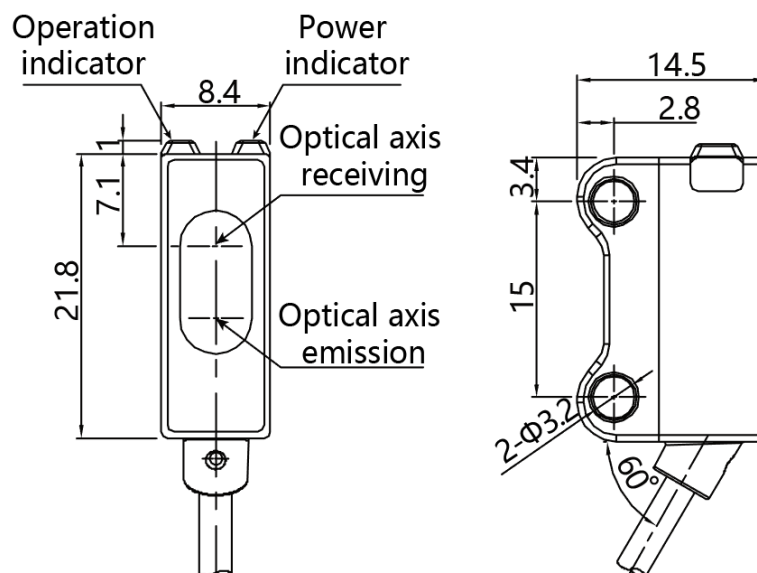
NPN NO	PST-YC8DNOR	PNP NO	PST-YC8DPOR
NPN NC	PST-YC8DNCR	PNP NC	PST-YC8DPCR

## Specifications

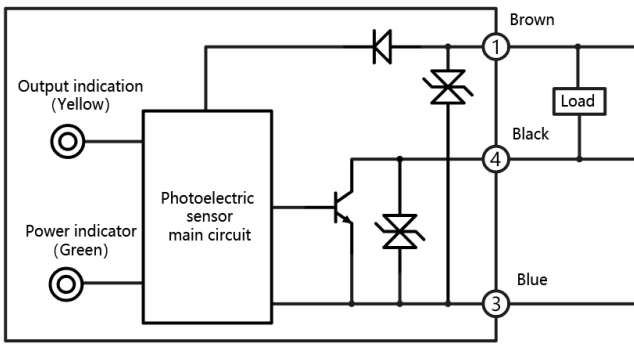
Sensing distance	8cm	Indicator	Green:power supply indicator,stability indication
Dead zone	<20mm		Yellow:output indication
Standard target	100*100mm White card	Response time	<1ms
Min target	φ1mm	Anti ambient light	Sunlight interference ≤10,000 lux
Spot size	2mm@100mm		Incandescent light interference ≤3,000 lux
Color sensitivity	>90%	Operation temperature	-20...55 °C
Return difference	<20%	Storage temperature	-30...70 °C
Supply voltage	10...30VDC	Protection degree	IP67
Consumption current	≤15mA	In conformity with standards	CE
Load current	≤50mA	Shell material	ABS
Voltage drop	≤1.5V	Lens	PMMA
Light source	Red light(640nm)	Connection	2m PVC cable
Protection circuit	Short circuit,reverse polarity,overload protection	Accessory	Screws(M3×16mm)×2、Nut×2、 Operation manual

Remark: Use 100\*100mm white card whose reflectivity is greater than 90%

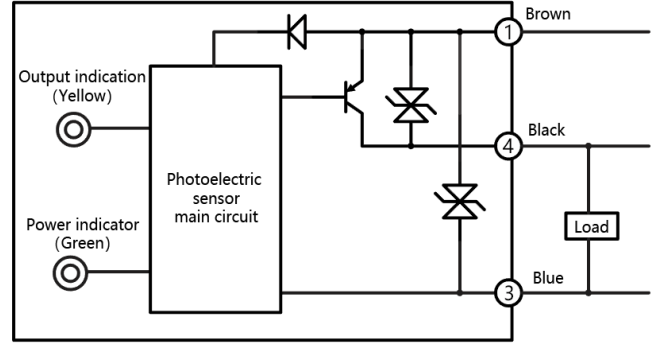
## Dimension



**Wiring diagram**



NPN



PNP