

Miniature photoelectric sensor PST series



Feature description

- M3 threaded cylindrical installation, small size, easy to install and use
- With 360° visible bright LED status indicator
- Good anti-light interference, high product stability
- Laser-like spot, can be used for precise positioning



Model specification

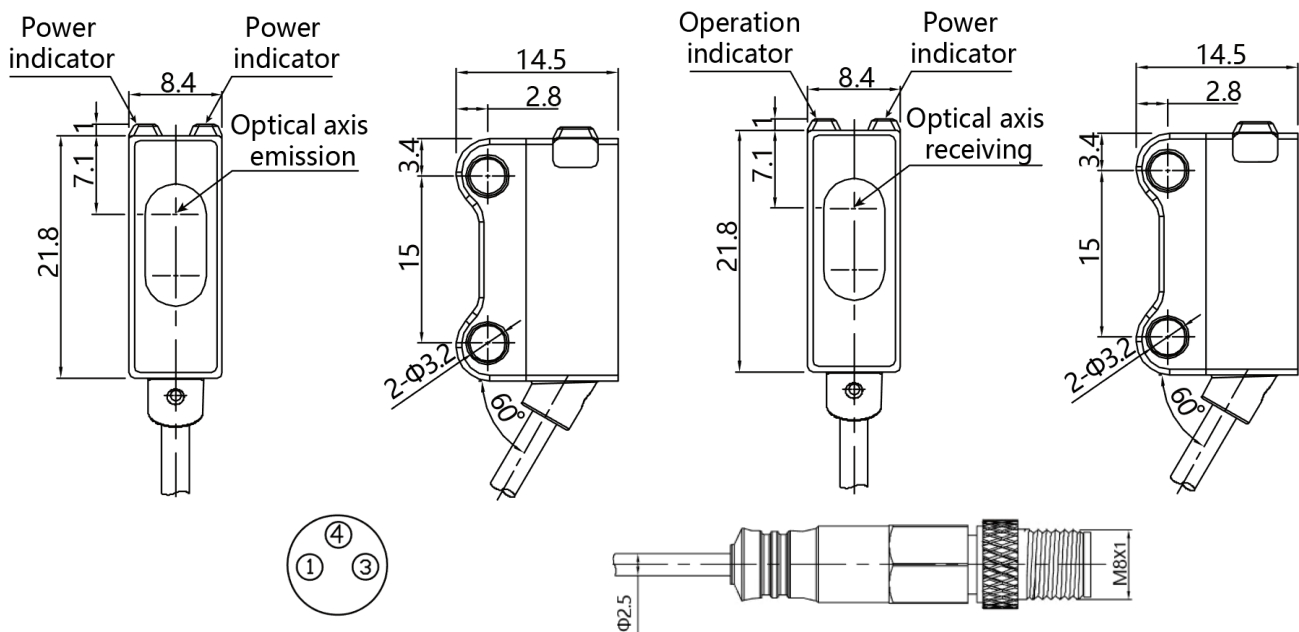
	Emitter	Receiver		Emitter	Receiver
NPN NO	PST-TC50DR-F3	PST-TC50DNOR-F3	PNP NO	PST-TC50DR-F3	PST-TC50DPOR-F3
NPN NC	PST-TC50DR-F3	PST-TC50DNCR-F3	PNP NC	PST-TC50DR-F3	PST-TC50DPCR-F3

Specifications

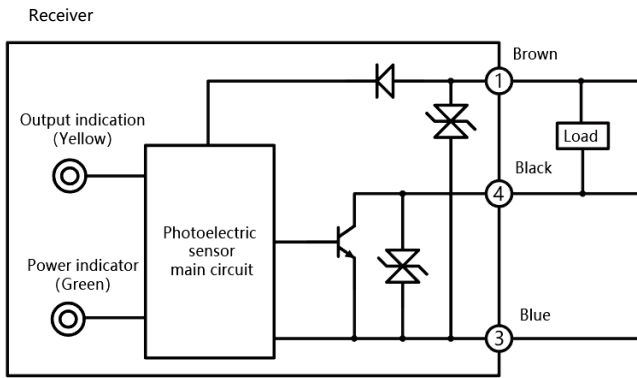
Sensing distance	50cm	Protection circuit	Short circuit,reverse polarity,overload protection
Standard target	φ2mm above opaque objects	Anti ambient light	Sunlight interference ≤10,000 lux
Min target	φ1mm above opaque objects ^①		Incandescent light interference ≤3,000 lux
Spot size	4mm@50cm	Operation temperature	-20...55 °c
Supply voltage	10...30VDC	Storage temperature	-30...70 °C
Consumption current	Emitter: 5mA; Receiver: ≤15mA	Protection degree	IP67
Load current	≤50mA	Certification	CE
Voltage drop	≤1.5V	Shell material	ABS
Light source	Red light(640nm)	Lens	PMMA
Indicator	Green:power supply indicator,stability indication	Connection	20cm PVC+M8 connector(3-pins)
	Yellow:output indication	Accessory	Screws(M3×16mm)×2、 Nut×2、 Operation manual
Response time	<1ms		

①The detection of the smallest detectable object can be achieved only under the appropriate sensitivity conditions

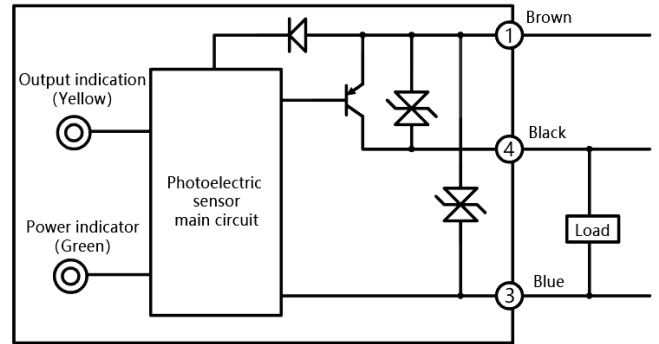
Dimension



Wiring diagram



NPN



PNP

