

# Miniature photoelectric sensor PST series



## Feature description

- M3 threaded cylindrical installation, small size, easy to install and use
- With 360° visible bright LED status indicator
- Good anti-light interference, high product stability
- Stable detection of small objects



## Model specification

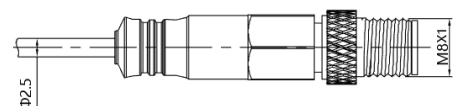
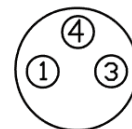
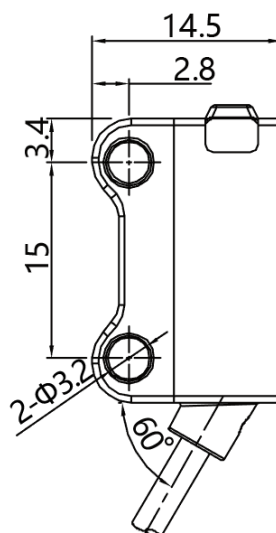
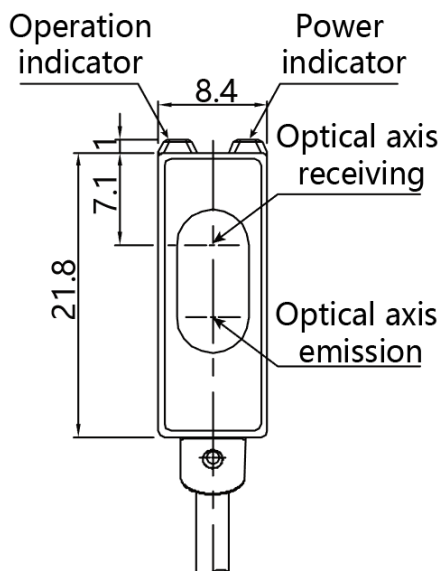
NPN NO	PST-SR25DNOR-F3	PNP NO	PST-SR25DPOR-F3
NPN NC	PST-SR25DNCR-F3	PNP NC	PST-SR25DPCR-F3

## Specifications

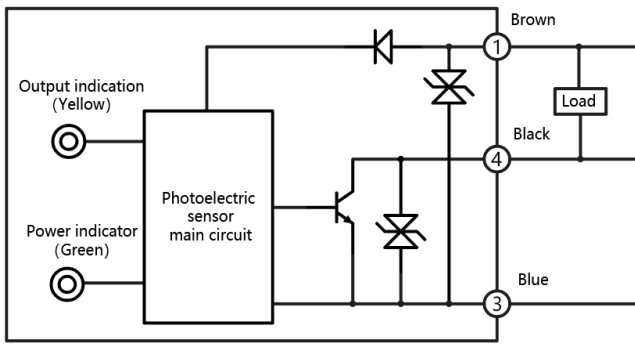
Sensing distance	2...25mm	Response time	<1ms
Dead zone	<2mm	Anti ambient light	Sunlight interference $\leq 10,000$ lux
Min target	0.1mm copper wire(at the detection distance of 10mm)		Incandescent light interference $\leq 3,000$ lux
Return difference	<20%	Operation temperature	-20...55 °C
Supply voltage	10...30VDC	Storage temperature	-30...70 °C
Consumption current	$\leq 15$ mA	Protection degree	IP67
Load current	$\leq 50$ mA	In conformity with standards	CE
Voltage drop	$\leq 1.5$ V	Shell material	ABS
Light source	Red light(640nm)	Lens	PMMA
Protection circuit	Short circuit,reverse polarity,overload protection	Connection	20cm PVC+M8 connector (3-pins)
Indicator	Green:power supply indicator,stability indication Yellow:output indication	Accessory	Screws(M3×16mm)×2、Nut×2、Operation manual

Remark: Use 100\*100mm white card whose reflectivity is greater than 90%

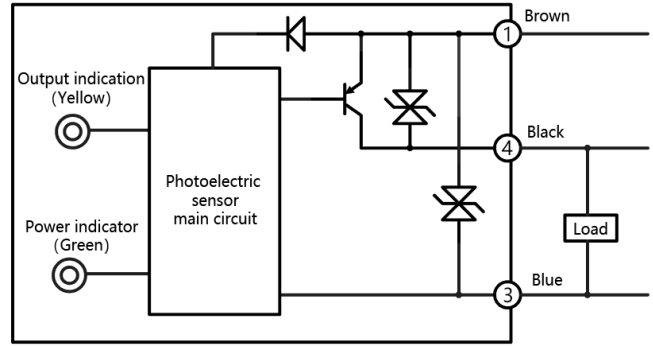
## Dimension



**Wiring diagram**



NPN



PNP