

Miniature photoelectric sensor PST series



Feature description

- M3 threaded cylindrical installation, small size, easy to install and use
- With 360° visible bright LED status indicator
- Good anti-light interference, high product stability
- Retro-reflective, stable detection of translucent and opaque objects



Model specification

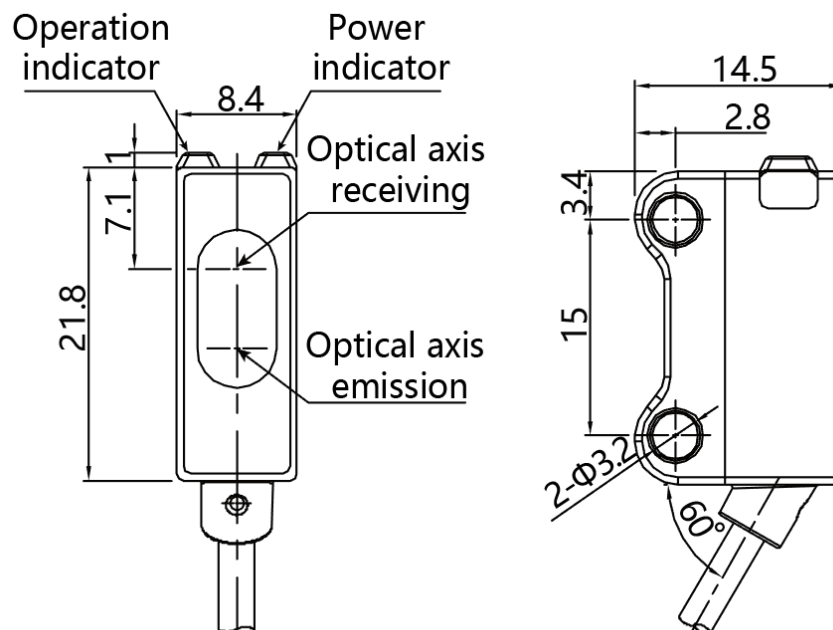
NPN NO	PST-DC25DNOR	PNP NO	PST-DC25DPOR
NPN NC	PST-DC25DNCR	PNP NC	PST-DC25DPCR

Specifications

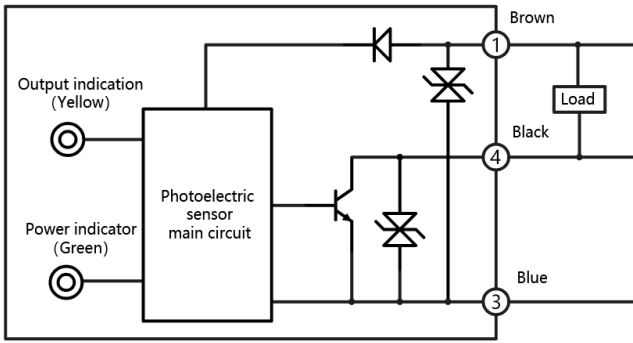
Sensing distance	25cm※	Response time	<1ms
Standard target	φ3mm opaque or translucent objects above	Anti ambient light	Sunlight interference ≤10,000 lux
Min target	φ1mm opaque or translucent objects above		Incandescent light interference ≤3,000 lux
Spot size	10mm@25cm	Operation temperature	-20...55°C
Supply voltage	10...30VDC	Storage temperature	-30...70°C
Consumption current	≤15mA	Protection degree	IP67
Load current	≤50mA	In conformity with standards	CE
Voltage drop	≤1.5V	Shell material	ABS
Light source	Red light(640nm)	Lens	PMMA
Protection circuit	Short circuit,reverse polarity,overload protection	Connection	2m PVC cable
Indicator	Green:power supply indicator,stability indication Yellow:output indication	Accessory	Screws(M3×16mm)×2, Nut×2, Reflector(TD-11), Operation manual

※ Use reflectors TD-11

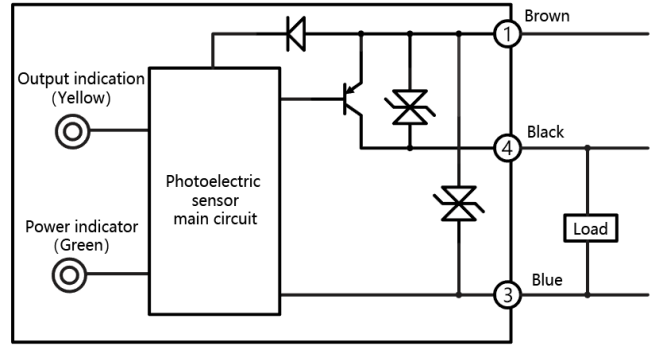
Dimension



Wiring diagram



NPN



PNP