

Small size photoelectric sensors PSS series



Features

- 18mm threaded cylindrical mounting, easy to install
- Short case for small installation space
- Big knob design for easy adjustment
- IP67 protection, suitable for harsh environments
- Visible red spot for easy installation and debugging



Model

NPN NO/NC	PSS-BC40DNBR-E2	PNP NO/NC	PSS-BC40DPBR-E2
-----------	-----------------	-----------	-----------------

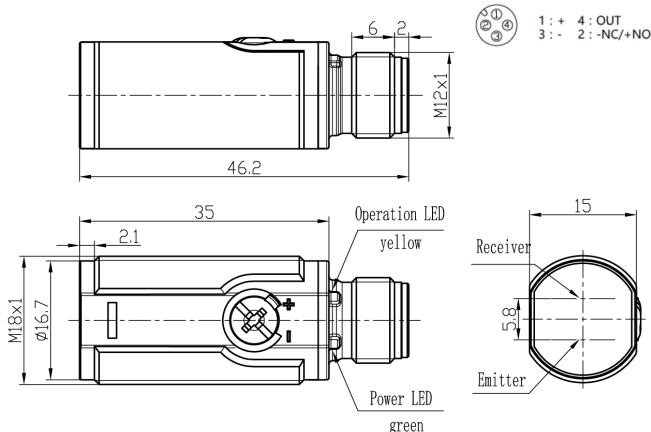
Specifications

Detection type	Diffuse reflection	Hysteresis	3...20%
Detection distance	40cm	Indicator	Green LED: power, stable
Light source	Red light (640nm)		Yellow LED: output, short circuit or overload
Spot size	15*15mm@40cm	Anti-ambient light	Anti-sunlight interference ≤ 10,000lux;
Output	NPN NO/NC or PNP NO/NC		Incandescent light interference ≤ 3,000lux
Response time	≤0.5ms	Operating temperature	-25...55 °C
Supply voltage	10...30 VDC	Storage temperature	-35...70 °C
Consumption current	≤20mA	Protection degree	IP67
Load current	≤200mA	Certification	CE
Voltage drop	≤1V	Material	Housing: PC+ABS; Filter: PMMA
Circuit protection	Short-circuit, overload, reverse polarity protection	Annex	M18 nut (2PCS), instruction manual, ReflectorTD-09
Connection	M12 4-core connector		
Distance adjustment	Single-turn potentiometer		
NO/NC adjustment	Feet 2 is connected to the positive pole or hang up, NO mode; Feet 2 is connected to the negative pole, NC mode		

Remarks: ①Detection object is 90% white card with size 20cm * 20cm;

②The green LED becomes weaker, which means that the signal is weaker and the sensor is unstable; The yellow LED flashes, which means that the sensor is shorted or overloaded;

Dimensions



Circuit Diagrams

