

Small size photoelectric sensors PSS series



Features

- 18mm threaded cylindrical mounting, easy to install
- Short case for small installation space
- Big knob design for easy adjustment;
- IP67 protection, suitable for harsh environments;
- Small detection blind zone, applicable to detection of objects in bright background;



Model

| | | | |
|-----------|-------------|-----------|-------------|
| NPN NO/NC | PSS-BC10DNB | PNP NO/NC | PSS-BC10DPB |
|-----------|-------------|-----------|-------------|

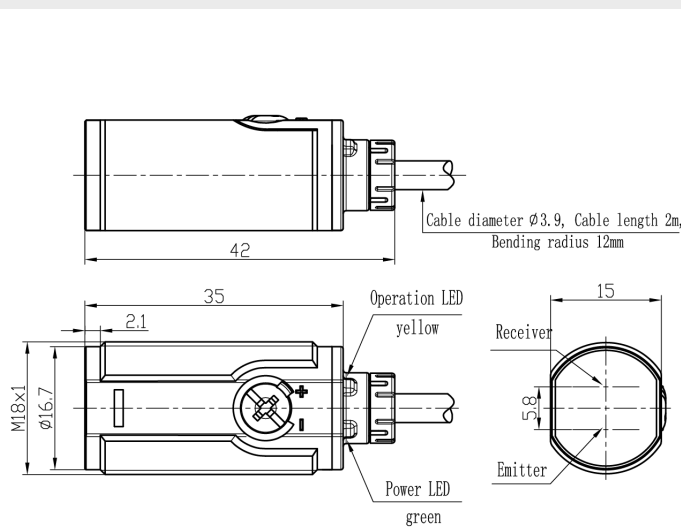
Specifications

| | | | |
|---------------------|---|-----------------------|---|
| Detection type | Diffuse reflection | Hysteresis | 3...20% |
| Rated distance | 10cm | Indicator | Green LED: power, stable |
| Light source | Infrared (940nm) | | Yellow LED: output, short circuit or overload |
| Output | NPN NO/NC or PNP NO/NC | Anti-ambient light | Anti-sunlight interference ≤ 10,000lux; Incandescent light interference ≤ 3,000lux |
| Response time | ≤0.5ms | Operating temperature | -25...55 °C |
| Supply voltage | 10...30 VDC | Storage temperature | -35...70 °C |
| Consumption current | ≤20mA | Protection degree | IP67 |
| Load current | ≤200mA | Certification | CE |
| Voltage drop | ≤1V | Material | Housing: PC+ABS; Filter: PMMA |
| Circuit protection | Short-circuit, overload, reverse polarity protection | Annex | M18 nut (2PCS), instruction manual |
| Connection | 2m PVC cable | | |
| Distance adjustment | Single-turn potentiometer | | |
| NO/NC adjustment | White wire is connected to the positive pole or hang up, NO mode; White wire is connected to the negative pole, NC mode | | |

Remarks:①Detection object is 90% white card with size 20cm * 20cm;

②The green LED becomes weaker, which means that the signal is weaker and the sensor is unstable; The yellow LED flashes, which means that the sensor is shorted or overloaded;

Dimensions



Circuit Diagrams

