

## Small size photoelectric sensors PSM series



### Features

- 18mm threaded cylindrical mounting, easy to install
- Short case for small installation space
- Big knob design for easy adjustment
- IP67 protection, suitable for harsh environments
- With 360° visible bright LED status indicator
- Suitable for inspection of smooth transparent bottles and transparent films



### Model

NPN NO/NC	PSM-GM2DNBR-E2	PNP NO/NC	PSM-GM2DPBR-E2
-----------	----------------	-----------	----------------

### Specifications

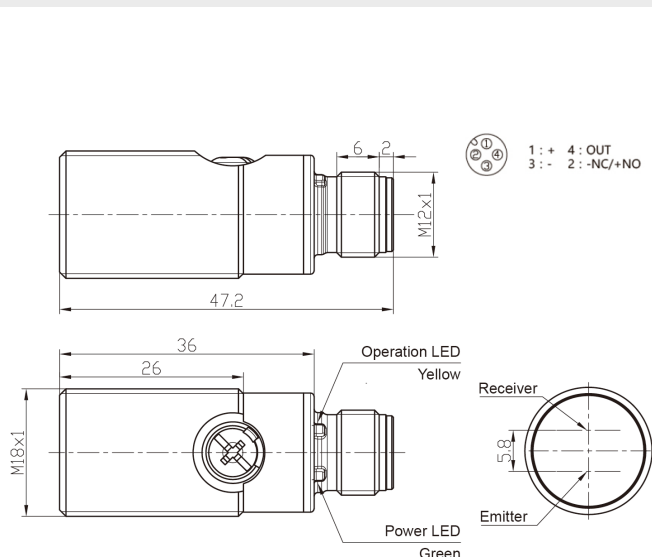
Detection type	Transparent object detection	Distance adjustment	Single-turn potentiometer
Detection distance	2m*	Indicator	Green LED: power, stable Yellow LED: output, short circuit or overload
Light source	Red light (640nm)	Anti-ambient light	Anti-sunlight interference $\leq 10,000\text{lux}$ Incandescent light interference $\leq 3,000\text{lux}$
Spot size	45*45mm@100cm	Operating temperature	-25...55 °C
Standard target	$> \phi 35\text{mm}$ object with more than 15% transmittance**	Storage temperature	-35...70 °C
Output	NPN NO/NC or PNP NO/NC	Protection degree	IP67
Response time	$\leq 1\text{ms}$	Certification	CE
Supply voltage	10...30 VDC	Material	Housing: Nickel copper alloy; Filter: PMMA
Consumption current	$\leq 20\text{mA}$	Connection	M12 4-core connector
Load current	$\leq 200\text{mA}$	Annex	M18 nut (2PCS), instruction manual, ReflectorTD-09
Voltage drop	$\leq 1\text{V}$		
Circuit protection	Short-circuit, overload, reverse polarity protection		
NO/NC adjustment	Feet 2 is connected to the positive pole or hang up; Feet 2 is connected to the negative pole, NC mode		

\*This data is the result of the TD-09 test of the reflector of the Lanbao PSM polarized sensor.

\*\*Smaller objects can be detected by adjustment.

\*\*\*The green LED becomes weaker, which means that the signal is weaker and the sensor is unstable; The yellow LED flashes, which means that the sensor is shorted or overloaded;

### Dimensions



### Circuit Diagrams

