

# Small size photoelectric sensors PSM series



## Features

- 18mm threaded cylindrical mounting, easy to install
- Short case for small installation space
- Big knob design for easy adjustment
- IP67 protection, suitable for harsh environments
- Visible red spot for easy installation and debugging



## Model

|           |                 |           |                 |
|-----------|-----------------|-----------|-----------------|
| NPN NO/NC | PSM-BC40DNBR-E2 | PNP NO/NC | PSM-BC40DPBR-E2 |
|-----------|-----------------|-----------|-----------------|

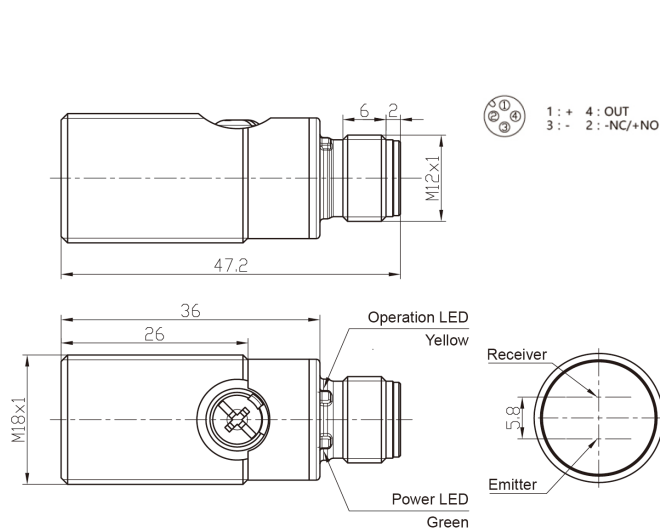
## Specifications

|                     |   |                       |   |
|---------------------|---|-----------------------|---|
| Detection type      | Diffuse reflection  | Hysteresis            | 3...20%   |
| Detection distance  | 40cm  | Indicator             | Green LED: power, stable<br>Yellow LED: output, short circuit or overload             |
| Light source        | Red light (640nm)   | Anti-ambient light    | Anti-sunlight interference ≤ 10,000lux;<br>Incandescent light interference ≤ 3,000lux |
| Spot size           | 15*15mm@40cm  | Operating temperature | -25...55 °C   |
| Output              | NPN NO/NC or PNP NO/NC  | Storage temperature   | -35...70 °C   |
| Response time       | ≤0.5ms  | Protection degree     | IP67  |
| Supply voltage      | 10...30 VDC   | Certification         | CE  |
| Consumption current | ≤20mA   | Material              | Housing: Nickel copper alloy; Filter: PMMA  |
| Load current        | ≤200mA  | Annex                 | M18 nut (2PCS), instruction manual  |
| Voltage drop        | ≤1V   |                       |   |
| Circuit protection  | Short-circuit, overload, reverse polarity protection  |                       |   |
| Connection          | M12 4-core connector  |                       |   |
| Distance adjustment | Single-turn potentiometer   |                       |   |
| NO/NC adjustment    | Feet 2 is connected to the positive pole or hang up, NO mode; Feet 2 is connected to the negative pole, NC mode |                       |   |

Remarks:①Detection object is 90% white card with size 20cm \* 20cm;

②The green LED becomes weaker, which means that the signal is weaker and the sensor is unstable; The yellow LED flashes, which means that the sensor is shorted or overloaded;

## Dimensions



## Circuit Diagrams

