

# Small size photoelectric sensors PSS series



## Features

- 18mm threaded cylindrical mounting, easy to install
- Short case for small installation space
- Big knob design for easy adjustment
- IP67 protection, suitable for harsh environments
- With 360° visible bright LED status indicator



## Model

|           |                 |           |                 |
|-----------|-----------------|-----------|-----------------|
| NPN NO/NC | PSM-BC100DNB-E2 | PNP NO/NC | PSM-BC100DPB-E2 |
|-----------|-----------------|-----------|-----------------|

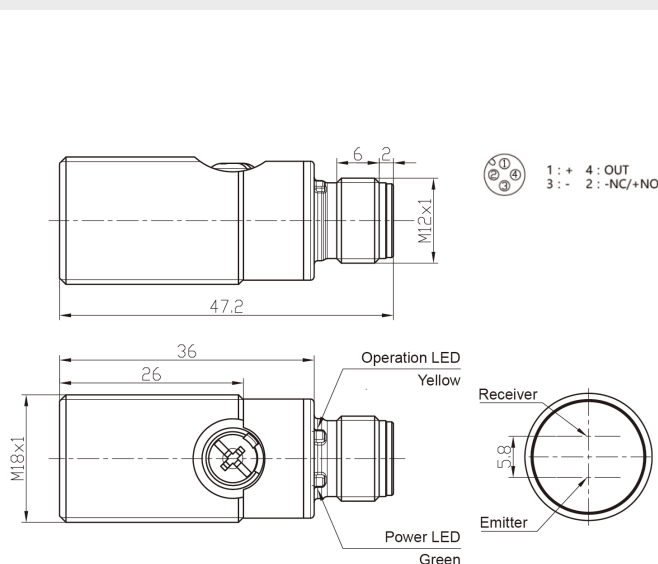
## Specifications

|                     |   |                       |  |
|---------------------|---|-----------------------|--|
| Detection type      | Diffuse reflection  | Hysteresis            | 3...20%  |
| Detection distance  | 100cm   | Indicator             | Green LED: power, stable                               |
| Light source        | Infrared light (940nm)  |                       | Yellow LED: output, short circuit or overload          |
| Output              | NPN NO/NC or PNP NO/NC  | Anti-ambient light    | Anti-sunlight interference $\leq 10,000\text{lux}$ ;   |
| Response time       | $\leq 0.5\text{ms}$   |                       | Incandescent light interference $\leq 3,000\text{lux}$ |
| Supply voltage      | 10...30 VDC   | Operating temperature | -25...55 °C  |
| Consumption current | $\leq 20\text{mA}$  | Storage temperature   | -35...70 °C  |
| Load current        | $\leq 200\text{mA}$   | Protection degree     | IP67   |
| Voltage drop        | $\leq 1\text{V}$  | Certification         | CE   |
| Distance adjustment | Single-turn potentiometer   | Material              | Housing: Nickel copper alloy; Filter: PMMA             |
| Circuit protection  | Short-circuit, overload, reverse polarity protection  | Annex                 | M18 nut (2PCS), instruction manual                     |
| Connection          | M12 4-core connector  |                       |  |
| NO/NC adjustment    | Feet 2 is connected to the positive pole or hang up, NO mode; Feet 2 is connected to the negative pole, NC mode |                       |  |

Remarks: ① Detection object is 90% white card with size 20cm \* 20cm;

② The green LED becomes weaker, which means that the signal is weaker and the sensor is unstable; The yellow LED flashes, which means that the sensor is shorted or overloaded;

## Dimensions



## Circuit Diagrams

