

Miniature photoelectric sensor PSW series



Feature description

- Small size, easy to install and use
- With 360° visible bright LED status indicator
- Superior anti-light interference, stable product performance
- Small blind zone, suitable for short distance installation



Model specification

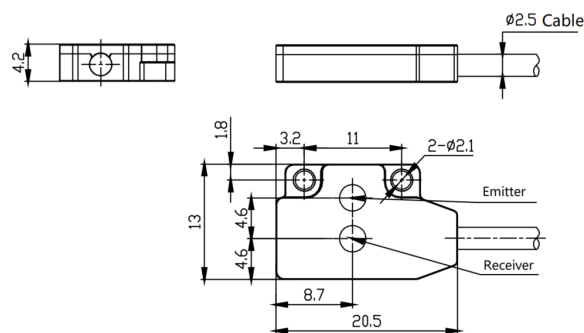
NPN NO	PSW-SR25DNOR	PNP NO	PSW-SR25DPOR
NPN NC	PSW-SR25DNCR	PNP NC	PSW-SR25DPCR

Specifications

Detection type	Limited reflection	Indicator	Green:power,stable indicator;Yellow:output indicator
Detection distance	0-25mm ^①	Anti ambient light	Sunlight interference ≤10,000 lux Incandescent light interference ≤3,000 lux
Distance adjustment	Non-adjustable	Operating temperature	-20...55 °C(No icing, no condensation)
NO/NC adjustment	Non-adjustable	Storage temperature	-30...70 °C(No icing, no condensation)
Supply voltage	10...30V DC	Protection degree	IP65
Consumption current	≤20mA	Shell material	Housing:PC+PBT,Filter: PMMA
Load current	≤50mA	Weight	22g
Voltage drop	<1.5V	Connection	2m PVC cable
Light source	Red light(640nm)	Accessory	Screws(M2×8mm)×2, Nut×2
Protection circuit	Short circuit protection,Polarity protection Overload protection,Zener protection		
Response time	T-on+T-off<1ms		

①Measured by 50*50mm white card with reflectance greater than 90%.Detection distance between 30-35mm.

Dimensions



Circuit Diagrams

