

# Miniature photoelectric sensor PSW series



## Feature description

- Small size, easy to install and use
- With 360° visible bright LED status indicator
- Superior anti-light interference, stable product performance
- Small blind zone, suitable for short distance installation



## Model specification

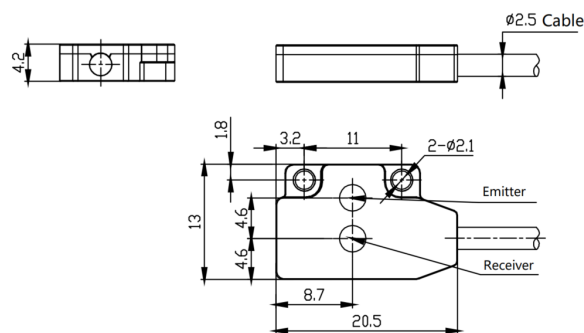
|        |              |        |              |
|--------|--------------|--------|--------------|
| NPN NO | PSW-SR10DNOR | PNP NO | PSW-SR10DPOR |
| NPN NC | PSW-SR10DNCR | PNP NC | PSW-SR10DPCR |

## Specifications

|                     |  |                       |  |
|---------------------|--|-----------------------|--|
| Detection type      | Limited reflection                           | Indicator             | Green:power,stable indicator;Yellow:output indicator |
| Detection distance  | 0-10mm <sup>①</sup>                          | Anti ambient light    | Sunlight interference ≤10,000 lux                    |
| Distance adjustment | Non-adjustable                               |                       | Incandescent light interference ≤3,000 lux           |
| NO/NC adjustment    | Non-adjustable                               | Operating temperature | -20...55 °C(No icing, no condensation)               |
| Supply voltage      | 10...30V DC                                  | Storage temperature   | -30...70 °C(No icing, no condensation)               |
| Consumption current | ≤20mA  | Protection degree     | IP65   |
| Load current        | ≤50mA  | Shell material        | Housing:PC+PBT,Filter: PMMA                          |
| Voltage drop        | <1.5V  | Weight                | 22g  |
| Light source        | Red light(640nm)                             | Connection            | 2m PVC cable   |
| Protection circuit  | Short circuit protection,Polarity protection | Accessory             | Screws(M2×8mm)×2, Nut×2                              |
|                     | Overload protection,Zener protection         |                       |  |
| Response time       | T-on+T-off<1ms                               |                       |  |

①Measured by 50\*50mm white card with reflectance greater than 90%.Detection distance between 13-18mm.

## Dimensions



## Circuit Diagrams

