

Metal cylindrical shape inductive sensors **LR30X** series

Features

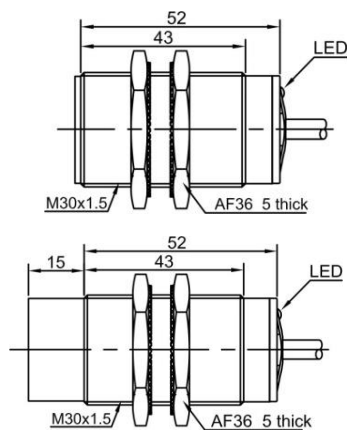
- ◆ Extended sensing distance;
- ◆ ASIC design, safe and reliable;
- ◆ Perfect choice for metallic target detection;


Part number

NPN NO	LR30XBF15DNOY	LR30XBN22DNOY	PNP NO	LR30XBF15DPOY	LR30XBN22DPOY
NPN NC	LR30XBF15DNCY	LR30XBN22DNCY	PNP NC	LR30XBF15DPCY	LR30XBN22DPCY
NPN NO+NC	LR30XBF15DNRY	LR30XBN22DNRY	PNP NO+NC	LR30XBF15DPRY	LR30XBN22DPRY

Technical specifications

Mounting	Quasi -flush	Non-flush	Current consumption	≤15mA	
Rated distance [Sn]	15mm	22mm	Circuit protection	Short-circuit, overload, reverse polarity	
Assured distance [Sa]	0...12mm/0...17.6mm		Output indicator	Yellow LED	
Dimensions	M30*52mm	M30*67mm	Ambient temperature	-25°C...70°C	
Output	NO/NC(depends on part number)		Ambient humidity	35-95%RH	
Supply voltage	10...30 VDC		Switching frequency [F]	300 Hz	150 Hz
Standard target	Fe 45*45*1t	Fe 66*66*1t	Voltage withstand	1000V/AC 50/60Hz 60S	
Switch-point drifts[%/Sr]	≤±10%		Insulation resistance	≥50MΩ (500VDC)	
Hysteresis range [%/Sr]	1...20%		Vibration resistance	10...50Hz (1.5mm)	
Repeat accuracy [R]	≤3%		Degree of protection	IP67	
Load current	≤200mA		Housing material	Nickel-copper alloy	
Residual voltage	≤2.5V		Connection type	2m PVC cable	

Dimensions

Wiring diagram
