

Metal cylindrical shape inductive sensors **LR30X** series

Features

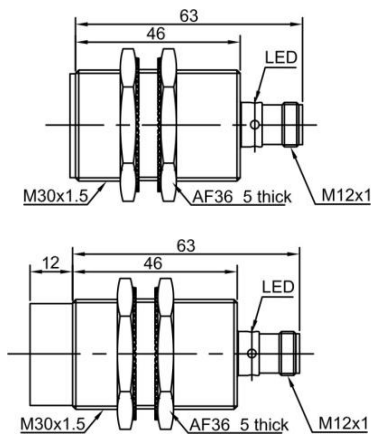
- ◆ Special compensating circuit design,;
- ◆ Wider tempature range -40~+70°C;
- ◆ Perfect choice for Cryogenic system, outdoor condition etc


Part number

NPN NO	LR30XBF10DNOW1-E2	LR30XBN15DNOW1-E2	PNP NO	LR30XBF10DPOW1-E2	LR30XBN15DPOW1-E2
NPN NC	LR30XBF10DNCW1-E2	LR30XBN15DNCW1-E2	PNP NC	LR30XBF10DPCW1-E2	LR30XBN15DPCW1-E2

Technical specifications

Mounting	Flush	Non-flush	Current consumption	≤15mA
Rated distance [Sn]	10mm	15mm	Circuit protection	Short-circuit, overload and reverse polarity
Assured distance [Sa]	0...8mm	0...12mm	Output indicator	Yellow LED
Dimensions	M30*63mm	M30*75mm	Ambient temperature	-40°C...70°C
Output	NO/NC(depends on part number)		Ambient humidity	35...95%RH
Supply voltage	10...30 VDC		Switching frequency [F]	500 Hz 300 Hz
Standard target	Fe 30*30*1t	Fe 45*45*1t	Voltage withstand	1000V/AC 50/60Hz 60s
Switch-point drifts[%/Sr]	≤ ± 10%		Insulation resistance	≥50MΩ(500VDC)
Hysteresis range [%/Sr]	1...20%		Vibration resistance	10...50Hz (1.5mm)
Repeat accuracy [R]	≤ 3%		Degree of protection	IP67
Load current	≤ 200mA		Housing material	Nickel-copper alloy
Residual voltage	≤ 2.5V		Connection type	M12 connector

Dimensions

Wiring diagram
