

Metal cylindrical shape inductive sensors **LR30X** series


Features

- ◆ Special compensating circuit design,;
- ◆ Wider tempature range -25~+120°C;
- ◆ Perfect choice for metal casting and glass industry etc;



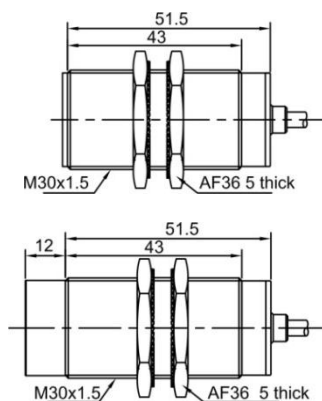
Part number

NPN NO	LR30XBF10DNOW	LR30XBN15DNOW	PNP NO	LR30XBF10DPOW	LR30XBN15DPOW
NPN NC	LR30XBF10DNCW	LR30XBN15DNCW	PNP NC	LR30XBF10DPCW	LR30XBN15DPCW

Technical specifications

Mounting	Flush	Non-flush	Current consumption	≤15mA
Rated distance [Sn]	10mm	15mm	Circuit protection	Reverse polarity
Assured distance [Sa]	0...8mm	0...12mm	Output indicator
Dimensions	M30*51.5mm	M30*63.5mm	Ambient temperature	-25°C...+120°C
Output	NO/NC(depends on part number)		Ambient humidity	35...95%RH
Supply voltage	10...30 VDC		Switching frequency [F]	500 Hz 300 Hz
Standard target	Fe 30*30*1t	Fe 45*45*1t	Voltage withstand	1000V/AC 50/60Hz 60s
Switch-point drifts[%/Sr]	≤ ± 10%		Insulation resistance	≥50MΩ(500VDC)
Hysteresis range [%/Sr]	1...20%		Vibration resistance	10...50Hz (1.5mm)
Repeat accuracy [R]	≤ 5%		Degree of protection	IP67
Load current	≤ 100mA		Housing material	Nickel-copper alloy
Residual voltage	≤ 2.5V		Connection type	2m silicone cable

Dimensions



Wiring diagram

