

Standard function type inductive sensors **LR30X** series


Features

- ◆ Non contact detection, safe and reliable;
- ◆ ASIC design;
- ◆ Perfect choice for metallic targets detection;



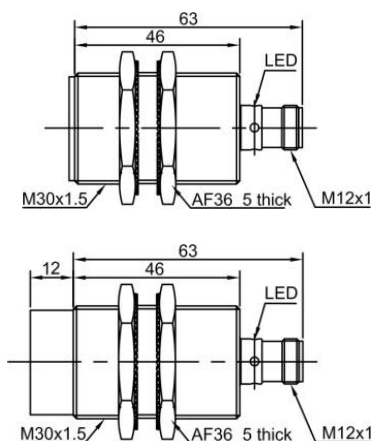
Part number

DC 2 wires NO	LR30XBF10DLO-E2	LR30XBN15DLO-E2	DC 2wires NC	LR30XBF10DLC-E2	LR30XBN15DLC-E2
---------------	-----------------	-----------------	--------------	-----------------	-----------------

Technical specifications

Mounting	Flush	Non-flush	Leakage current [Ir]	≤1mA	
Rated distance [Sn]	10mm	15mm	Circuit protection	Short-circuit, overload and reverse polarity	
Assured distance [Sa]	0...8mm/0...12mm		Output indicator	Yellow LED	
Dimensions	M30*63mm	M30*75mm	Ambient temperature	-25°C...70°C	
Output	NO/NC(depends on part number)		Ambient humidity	35-95%RH	
Supply voltage	10...30 VDC		Switching frequency [F]	300 Hz	200 Hz
Standard target	Fe 30*30*1t	Fe 45*45*1t	Voltage withstand	1000V/AC 50/60Hz 60s	
Switch-point drifts [%/Sr]	≤ ± 10%		Insulation resistance	≥50MΩ (500VDC)	
Hysteresis range [%/Sr]	1...20%		Vibration resistance	10...50Hz (1.5mm)	
Repeat accuracy [R]	≤ 3%		Degree of protection	IP67	
Load current	≤ 100mA		Housing material	Nickel-copper alloy	
Residual voltage	≤ 6V		Connection type	M12 connector	

Dimensions



Wiring diagram

