

Metal cylindrical shape inductive sensors **LR18X** series

Features

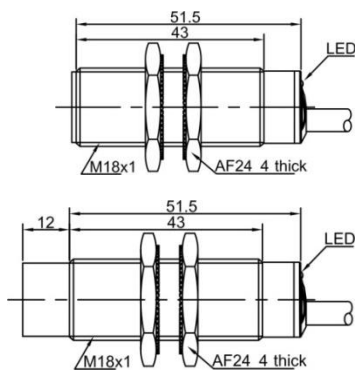
- ◆ Extended sensing distance;
- ◆ ASIC design, safe and reliable;
- ◆ Perfect choice for metallic target detection;


Part number

| | | | | | |
|-----------|---------------|---------------|-----------|---------------|---------------|
| NPN NO | LR18XBF08DNOY | LR18XBN12DNOY | PNP NO | LR18XBF08DPOY | LR18XBN12DPOY |
| NPN NC | LR18XBF08DNCY | LR18XBN12DNCY | PNP NC | LR18XBF08DPCY | LR18XBN12DPCY |
| NPN NO+NC | LR18XBF08DNRY | LR18XBN12DNRY | PNP NO+NC | LR18XBF08DPRY | LR18XBN12DPRY |

Technical specifications

| | | | | | |
|---------------------------|-------------------------------|-------------|-------------------------|--|--------|
| Mounting | Quasi -flush | Non-flush | Current consumption | ≤15mA | |
| Rated distance [Sn] | 8mm | 12mm | Circuit protection | Short-circuit, overload and reverse polarity | |
| Assured distance [Sa] | 0...6.4mm | 0...9.6mm | Output indicator | Yellow LED | |
| Dimensions | M18*51.5mm | M18*63.5 mm | Ambient temperature | -25°C...70°C | |
| Output | NO/NC(depends on part number) | | Ambient humidity | 35-95%RH | |
| Supply voltage | 10...30 VDC | | Switching frequency [F] | 400 Hz | 200 Hz |
| Standard target | Fe 24*24*1t/Fe 36*36*1t | | Voltage withstand | 1000V/AC 50/60Hz 60S | |
| Switch-point drifts[%/Sr] | ≤±10% | | Insulation resistance | ≥50MΩ (500VDC) | |
| Hysteresis range [%/Sr] | 1...20% | | Vibration resistance | 10...50Hz (1.5mm) | |
| Repeat accuracy [R] | ≤3% | | Degree of protection | IP67 | |
| Load current | ≤200mA | | Housing material | Nickel-copper alloy | |
| Residual voltage | ≤2.5V | | Connection type | 2m PVC cable | |

Dimensions

Wiring diagram
