

Metal cylindrical shape inductive sensors **LR18X** series

**Features**

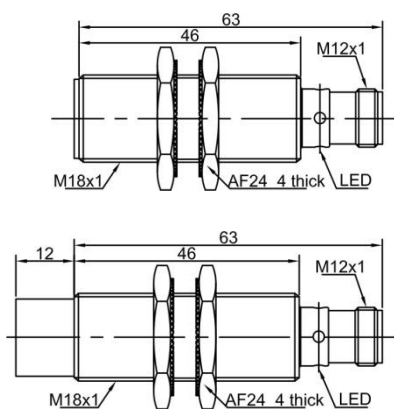
- ◆ Extended sensing distance;
- ◆ ASIC design, safe and reliable;
- ◆ Perfect choice for metallic target detection;


**Part number**

DC 2 wires NO LR18XBF08DLOY-E2 LR18XBN12DLOY-E2	DC 2 wires NC LR18XBF08DLCY LR18XBN12DLCY
---	---

**Technical specifications**

Mounting	Quasi -flush	Non-flush	Leakage current [I <sub>r</sub> ]	≤1mA
Rated distance [S <sub>n</sub> ]	8mm	12mm	Circuit protection	Short-circuit, overload and reverse polarity
Assured distance [S <sub>a</sub> ]	0...6.4mm	0...9.6mm	Output indicator	Yellow LED
Dimensions	M18*63mm	M18*75mm	Ambient temperature	-25°C...70°C
Output	NO/NC(depends on part number)		Ambient humidity	35-95%RH
Supply voltage	10...30 VDC		Switching frequency [F]	400 Hz      200 Hz
Standard target	Fe 24*24*1t/Fe 36*36*1t		Voltage withstand	1000V/AC 50/60Hz 60S
Switch-point drifts[%/Sr]	≤ ± 10%		Insulation resistance	≥50MΩ (500VDC)
Hysteresis range [%/Sr]	1...20%		Vibration resistance	10...50Hz (1.5mm)
Repeat accuracy [R]	≤ 3%		Degree of protection	IP67
Load current	≤ 100mA		Housing material	Nickel-copper alloy
Residual voltage	≤ 6V		Connection type	M12 connector

**Dimensions**

**Wiring diagram**
