

Metal cylindrical shape inductive sensors **LR18X** series


Features

- ◆ Extended sensing distance;
- ◆ ASIC design, safe and reliable;
- ◆ Perfect choice for metallic target detection;



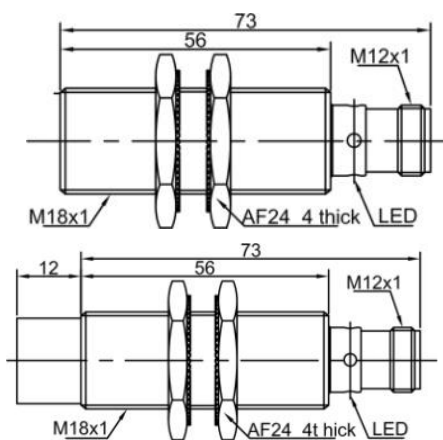
Part number

AC/DC 2 wires NO	LR18XCF08SBOY-E2	LR18XCN12SBOY-E2	AC/DC 2 wires NC	LR18XCF08SBCY-E2	LR18XCN12SBCY-E2
------------------	------------------	------------------	------------------	------------------	------------------

Technical specifications

Mounting	Quasi-flush	Non-flush	Leakage current [Ir]	AC: ≤ 3mA	DC: ≤ 1mA
Rated distance [Sn]	8mm	12mm	Circuit protection	
Assured distance [Sa]	0...6.4mm / 0...9.6mm		Output indicator	Yellow LED	
Dimensions	M18 *73mm / M18 *85mm		Ambient temperature	-25°C...70°C	
Output	NO/NC (depends on part number)		Ambient humidity	35...95%RH	
Supply voltage	20...250 VAC/DC		Switching frequency [F]	AC: 20 Hz	DC: 400 Hz
Standard target	Fe 24*24*1t	Fe 36*36*1t	Voltage withstand	1000V/AC 50/60Hz 60S	
Switch-point drifts [%/Sr]	≤ ± 10%		Insulation resistance	≥ 50MΩ (500VDC)	
Hysteresis range [%/Sr]	1...20%		Vibration resistance	10...50Hz (1.5mm)	
Repeat accuracy [R]	≤ 3%		Degree of protection	IP67	
Load current	AC: ≤ 300mA	DC: ≤ 100mA	Housing material	Nickel-copper alloy	
Residual voltage	AC: ≤ 10V	DC: ≤ 8V	Connection type	M12 connector	

Dimensions



Wiring diagram

