

Metal cylindrical shape inductive sensors **LR18X** series


Features

- ◆ Extended sensing distance;
- ◆ ASIC design, safe and reliable;
- ◆ Perfect choice for metallic target detection;



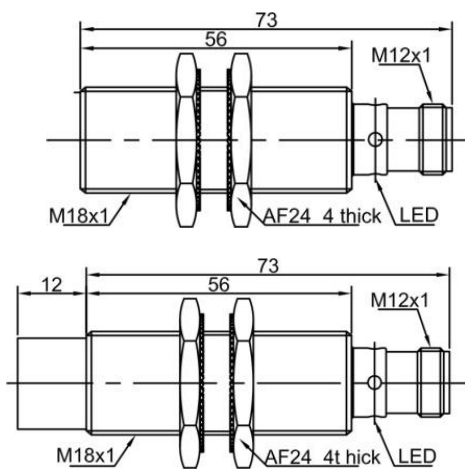
Part number

AC 2 wiresNO LR18XCF08ATOY-E2 LR18XCN12ATOY-E2 AC 2 wiresNC LR18XCF08ATCY-E2 LR18XCN12ATCY-E2

Technical specifications

Mounting	Quasi -flush	Non-flush	Leakage current [Ir]	≤3mA
Rated distance [Sn]	8mm	12mm	Circuit protection
Assured distance [Sa]	0...6.4mm0...9.6mm		Output indicator	Yellow LED
Dimensions	M18 *73mmM18 *85mm		Ambient temperature	-25°C...70°C
Output	NO/NC(depends on part number)		Ambient humidity	35...95%RH
Supply voltage	20...250 VAC		Switching frequency [F]	20 Hz
Standard target	Fe 24*24*1t	Fe 36*36*1t	Voltage withstand	1000V/AC 50/60Hz 60S
Switch-point drifts[%/Sr]	≤ ± 10%		Insulation resistance	≥50MΩ (500VDC)
Hysteresis range [%/Sr]	1...20%		Vibration resistance	10...50Hz (1.5mm)
Repeat accuracy [R]	≤ 3%		Degree of protection	IP67
Load current	≤ 300mA		Housing material	Nickel-copper alloy
Residual voltage	≤ 10V		Connection type	M12 connector

Dimensions



Wiring diagram

