

Standard function type inductive sensors **LR18X** series


Features

- ◆ Non contact detection, safe and reliable;
- ◆ ASIC design;
- ◆ Perfect choice for metallic targets detection;



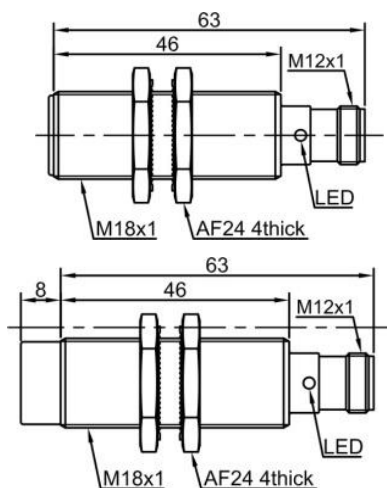
Part number

NPN NO	LR18XBF05DNO-E2	LR18XBN08DNO-E2	PNP NO	LR18XBF05DPO-E2	LR18XBN08DPO-E2
NPN NC	LR18XBF05DNC-E2	LR18XBN08DNC-E2	PNP NC	LR18XBF05DPC-E2	LR18XBN08DPC-E2
NPN NO+NC	LR18XBF05DNR-E2	LR18XBN08DNR-E2	PNP NO+NC	LR18XBF05DPR-E2	LR18XBN08DPR-E2

Technical specifications

Mounting	Flush	Non-flush	Current consumption	≤15mA	
Rated distance [Sn]	5mm	8mm	Circuit protection	Short-circuit, overload and reverse polarity	
Assured distance [Sa]	0...4mm 0...6.4mm		Output indicator	Yellow LED	
Dimensions	M18*63mm	M18*71 mm	Ambient temperature	-25°C...70°C	
Output	NO/NC (depends on part number)		Ambient humidity	35-95%RH	
Supply voltage	10...30 VDC		Switching frequency [F]	1000 Hz	800 Hz
Standard target	Fe 18*18*1t	Fe 24*24*1t	Voltage withstand	1000V/AC 50/60Hz 60s	
Switch-point drifts [%/Sr]	±10%		Insulation resistance	≥50MΩ(500VDC)	
Hysteresis range [%/Sr]	1...20%		Vibration resistance	10...50Hz (1.5mm)	
Repeat accuracy [R]	≤3%		Degree of protection	IP67	
Load current	≤200mA		Housing material	Nickel-copper alloy	
Residual voltage	≤2.5V		Connection type	M12 connector	

Dimensions



Wiring diagram

