

Standard function type inductive sensors **LR18X** series


## Features

- ◆ Non contact detection, safe and reliable;
- ◆ ASIC design;
- ◆ Perfect choice for metallic target detection;



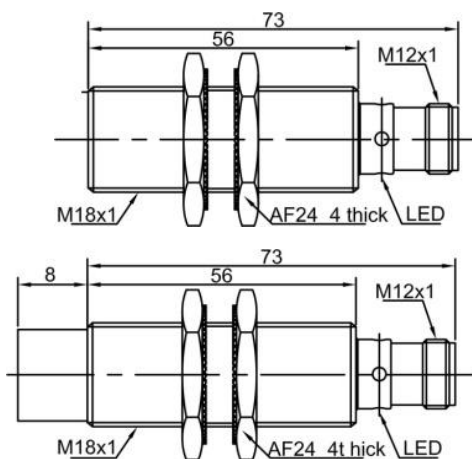
## Part number

AC/DC 2 wires NO LR18XCF05SBO-E2 LR18XCN08SBO-E2	AC/DC 2 wires NC LR18XCF05SBC-E2 LR18XCN08SBC-E2
--	--

## Technical specifications

Mounting	Flush	Non-flush	Leakage current [Ir]	AC: ≤ 3mA	DC: ≤ 1mA
Rated distance [Sn]	5mm	8mm	Circuit protection	...	
Assured distance [Sa]	0...4mm	0...6.4mm	Output indicator	Yellow LED	
Dimensions	M18*73mm	M18*81 mm	Ambient temperature	-25°C...70°C	
Output	NO/NC(depends on part number)		Ambient humidity	35-95%RH	
Supply voltage	20...250V AC/DC		Switching frequency [F]	AC:20 Hz, DC: 500 Hz	
Standard target	Fe 18*18*1t	Fe 24*24*1t	Voltage withstand	1000V/AC 50/60Hz 60s	
Switch-point drifts [%/Sr]	≤ ± 10%		Insulation resistance	≥ 50MΩ (500VDC)	
Hysteresis range [%/Sr]	1...20%		Vibration resistance	10...50Hz (1.5mm)	
Repeat accuracy [R]	≤ 3%		Degree of protection	IP67	
Load current	AC: ≤ 300mA	DC: ≤ 100mA	Housing material	Nickel-copper alloy	
Residual voltage	AC: ≤ 10V	DC: ≤ 8V	Connection type	M12 connector	

## Dimensions



## Wiring diagram

