

Standard function type inductive sensors **LR18X** series


Features

- ◆ Non contact detection, safe and reliable;
- ◆ ASIC design;
- ◆ Perfect choice for metallic target detection;



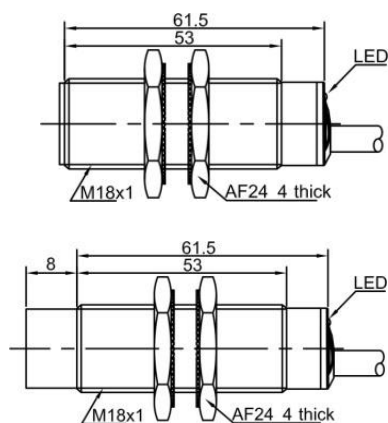
Part number

AC 2 wires NO	LR18XCF05ATO	LR18XCN08ATO	AC 2 wires NC	LR18XCF05ATC	LR18XCN08ATC
---------------	--------------	--------------	---------------	--------------	--------------

Technical specifications

Mounting	Flush	Non-flush	Leakage current [Ir]	≤3mA
Rated distance [Sn]	5mm	8mm	Circuit protection
Assured distance [Sa]	0...4mm	0...6.4mm	Output indicator	Yellow LED
Dimensions	M18*61.5mm	M18*69.5 mm	Ambient temperature	-25°C...70°C
Output	NO/NC(depends on part number)		Ambient humidity	35-95%RH
Supply voltage	20...250 VAC		Switching frequency [F]	20 Hz 20 Hz
Standard target	Fe 18*18*1t	Fe 24*24*1t	Voltage withstand	1000V/AC 50/60Hz 60S
Switch-point drifts [%/Sr]	≤ ± 10%		Insulation resistance	≥50MΩ (500VDC)
Hysteresis range [%/Sr]	1...20%		Vibration resistance	10...50Hz (1.5mm)
Repeat accuracy [R]	≤ 3%		Degree of protection	IP67
Load current	≤ 300mA		Housing material	Nickel-copper alloy
Residual voltage	≤ 10V		Connection type	2m PVC cable

Dimensions



Wiring diagram

