

Analog output type inductive sensors **LR18X** series

**Features**

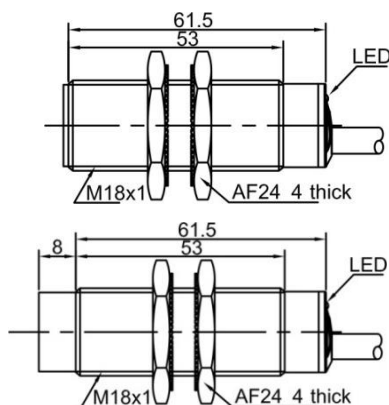
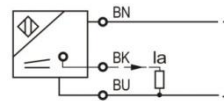
- ◆ Providing equivalent signal output along with target position;
- ◆ 0-10V, 0-20mA, 4-20mA analog output;
- ◆ Perfect choice for displacement and thickness measurement;


**Part number**

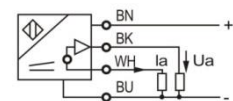
0-10V	LR18XCF05LUM	LR18XCN08LUM	4-20mA	LR18XCF05LI4M	LR18XCN08LI4M
0-20mA	LR18XCF05LIM	LR18XCN08LIM	0-10V + 0-20mA	LR18XCF05LIUM	LR18XCN08LIUM

**Technical specifications**

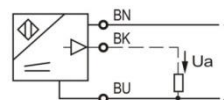
Mounting	Flush	Non-flush	Current consumption	≤20mA	
Rated distance [Sn]	5mm	8mm	Circuit protection	Reverse polarity protection	
Sensing distance	1...5mm 1.6...8mm		Output indicator	Yellow LED	
Dimensions	M18*61.5mm	M18*69.5mm	Ambient temperature	-25°C...70°C	
Output	Current, voltage or current+voltage		Ambient humidity	35...95%RH	
Supply voltage	15...30 VDC		Switching frequency [F]	200 Hz	100 Hz
Standard target	Fe 18*18*1t	Fe 24*24*1t	Voltage withstand	1000V/AC 50/60Hz 60s	
Switch-point drifts [%/Sr]	≤±10%		Insulation resistance	≥50MΩ(500VDC)	
Linearity	≤±5%		Vibration resistance	10...50Hz (1.5mm)	
Repeat accuracy [R]	≤±3%		Degree of protection	IP67	
Load current	Voltage output: ≥4.7KΩ		Housing material	Nickel-copper alloy	
	Current output: ≤470Ω		Connection type	2m PVC cable	

**Dimensions**

**Wiring diagram**


Current output



Current +Voltage output



Voltage output