

Metal cylindrical shape inductive sensors **LR12X** series

**Features**

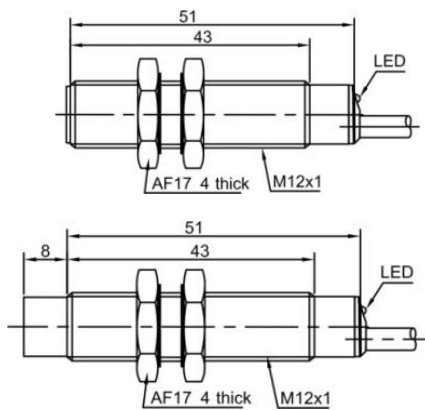
- ◆ Extended sensing distance;
- ◆ ASIC design, safe and reliable;
- ◆ Perfect choice for metallic target detection;


**Part number**

NPN NO	LR12XBF04DNOY	LR12XBN08DNOY	PNP NO	LR12XBF04DPOY	LR12XBN08DPOY
NPN NC	LR12XBF04DNCY	LR12XBN08DNCY	PNP NC	LR12XBF04DPCY	LR12XBN08DPCY
NPN NO+NC	LR12XBF04DNRY	LR12XBN08DNRY	PNP NO+NC	LR12XBF04DPRY	LR12XBN08DPRY

**Technical specifications**

Mounting	Quasi -flush	Non-flush	Current consumption	≤15mA	
Rated distance [Sn]	4mm	8mm	Circuit protection	Short-circuit, overload and reverse polarity	
Assured distance [Sa]	0...3.2mm0...6.4mm		Output indicator	Yellow LED	
Dimensions	M12*51mm	M12*59mm	Ambient temperature	-25°C...70°C	
Output	NO/NC(depends on part number)		Ambient humidity	35-95%RH	
Supply voltage	10...30 VDC		Switching frequency [F]	800 Hz	500 Hz
Standard target	Fe 12*12*1t	Fe 24*24*1t	Voltage withstand	1000V/AC 50/60Hz 60S	
Switch-point drifts[%/Sr]	≤ ±10%		Insulation resistance	≥50MΩ (500VDC)	
Hysteresis range [%/Sr]	1...20%		Vibration resistance	10...50Hz (1.5mm)	
Repeat accuracy [R]	≤3%		Degree of protection	IP67	
Load current	≤200mA		Housing material	Nickel-copper alloy	
Residual voltage	≤2.5V		Connection type	2m PVC cable	

**Dimensions**

**Wiring diagram**
