

Metal cylindrical shape inductive sensors **LR12X** series


Features

- ◆ Special compensating circuit design,;
- ◆ Wider tempature range -40~+70°C;
- ◆ Perfect choice for Cryogenic system, outdoor condition etc



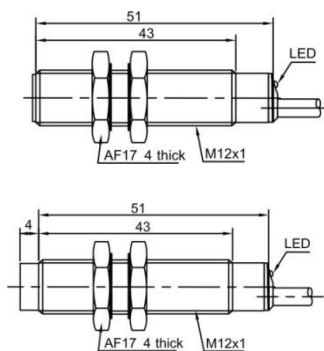
Part number

NPN NO	LR12XBF02DNOW1	LR12XBN04DNOW1	PNP NO	LR12XBF02DPOW1	LR12XBN04DPOW1
NPN NC	LR12XBF02DNCW1	LR12XBN04DNCW1	PNP NC	LR12XBF02DPCW1	LR12XBN04DPCW1

Technical specifications

Mounting	Flush	Non-flush	Current consumption	≤15mA
Rated distance [Sn]	2mm	4mm	Circuit protection	Short-circuit, overload and reverse polarity
Assured distance [Sa]	0...1.6mm0...3.2mm		Output indicator	Yellow LED
Dimensions	M12*51mm	M12*55mm	Ambient temperature	-40°C...70°C
Output	NO/NC(depends on part number)		Ambient humidity	35...95%RH
Supply voltage	10...30 VDC		Switching frequency [F]	1500 Hz 1000 Hz
Standard target	Fe 12*12*1t	Fe12*12*1t	Voltage withstand	1000V/AC 50/60Hz 60s
Switch-point drifts[%/Sr]	≤ ± 10%		Insulation resistance	≥50MΩ(500VDC)
Hysteresis range [%/Sr]	1...20%		Vibration resistance	10...50Hz (1.5mm)
Repeat accuracy [R]	≤ 3%		Degree of protection	IP67
Load current	≤ 200mA		Housing material	Nickel-copper alloy
Residual voltage	≤ 2.5V		Connection type	2m PUR cable

Dimensions



Wiring diagram

