

Standard function type inductive sensors **LR12X** series


Features

- ◆ Non contact detection, safe and reliable;
- ◆ ASIC design;
- ◆ Perfect choice for metallic targets detection;



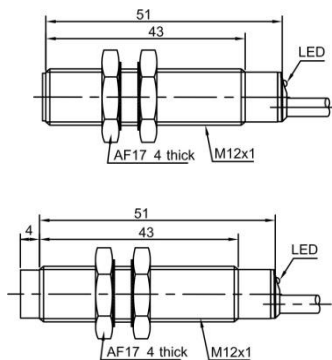
Part number

NPN NO	LR12XBF02DNO	LR12XBN04DNO	PNP NO	LR12XBF02DPO	LR12XBN04DPO
NPN NC	LR12XBF02DNC	LR12XBN04DNC	PNP NC	LR12XBF02DPC	LR12XBN04DPC
NPN NO+NC	LR12XBF02DNR	LR12XBN04DNR	PNP NO+NC	LR12XBF02DPR	LR12XBN04DPR

Technical specifications

Mounting	Flush	Non-flush	Current consumption	≤15mA	
Rated distance [Sn]	2mm	4mm	Circuit protection	Short-circuit, overload and reverse polarity	
Assured distance [Sa]	0...1.6mm/0...3.2mm		Output indicator	Yellow LED	
Dimensions	M12*51mm	M12*55 mm	Ambient temperature	-25°C...70°C	
Output	NO/NC (depends on part number)		Ambient humidity	35-95%RH	
Supply voltage	10...30 VDC		Switching frequency [F]	1500 Hz	1000 Hz
Standard target	Fe 12*12*1t	Fe 12*12*1t	Voltage withstand	1000V/AC 50/60Hz 60s	
Switch-point drifts [%/Sr]	±10%		Insulation resistance	≥50MΩ(500VDC)	
Hysteresis range [%/Sr]	1...20%		Vibration resistance	10...50Hz (1.5mm)	
Repeat accuracy [R]	≤3%		Degree of protection	IP67	
Load current	≤200mA		Housing material	Nickel-copper alloy	
Residual voltage	≤2.5V		Connection type	2m PVC cable	

Dimensions



Wiring diagram

