

Standard function type inductive sensors **LR12X** series


Features

- ◆ Non contact detection, safe and reliable;
- ◆ ASIC design;
- ◆ Perfect choice for metallic targets detection;



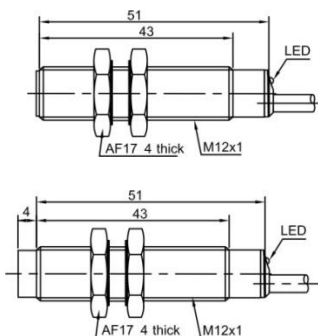
Part number

DC 2 wires NO	LR12XBF02DLO	LR12XBN04DLO	DC 2wires NC	LR12XBF02DLC	LR12XBN04DLC
---------------	--------------	--------------	--------------	--------------	--------------

Technical specifications

Mounting	Flush	Non-flush	Leakage current [Ir]	≤1mA	
Rated distance [Sn]	2mm	4mm	Circuit protection	Short-circuit, overload and reverse polarity	
Assured distance [Sa]	0...1.6mm	0...3.2mm	Output indicator	Yellow LED	
Dimensions	M12*51mm M12*55mm		Ambient temperature	-25°C...70°C	
Output	NO/NC(depends on part number)		Ambient humidity	35-95%RH	
Supply voltage	10...30 VDC		Switching frequency [F]	800 Hz	500 Hz
Standard target	Fe 12*12*1t	Fe 12*12*1t	Voltage withstand	1000V/AC 50/60Hz 60s	
Switch-point drifts [%/Sr]	≤ ± 10%		Insulation resistance	≥50MΩ (500VDC)	
Hysteresis range [%/Sr]	1...20%		Vibration resistance	10...50Hz (1.5mm)	
Repeat accuracy [R]	≤ 3%		Degree of protection	IP67	
Load current	≤ 100mA		Housing material	Nickel-copper alloy	
Residual voltage	≤ 6V		Connection type	2m PVC cable	

Dimensions



Wiring diagram

