

Metal cylindrical shape inductive sensors **LR08** series


Features

- ◆ Extended sensing distance;
- ◆ ASIC design, safe and reliable;
- ◆ Perfect choice for metallic target detection;



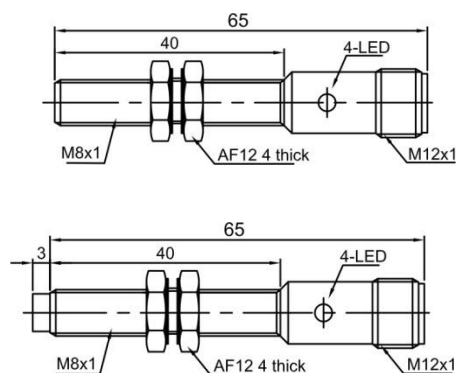
Part number

NPN NO	LR08BF02DNOY-E2	LR08BN04DNOY-E2	PNP NO	LR08BF02DPOY-E2	LR08BN04DPOY-E2
NPN NC	LR08BF02DNKY-E2	LR08BN04DNKY-E2	PNP NC	LR08BF02DPCY-E2	LR08BN04DPCY-E2

Technical specifications

Mounting	Quasi-flush Non-flush	Current consumption	≤10mA
Rated distance [Sn]	2mm 4mm	Circuit protection	Short-circuit, overload and reverse polarity
Assured distance [Sa]	0...1.6mm 0...3.2mm	Output indicator	YellowLED
Dimensions	M8*65mm M8*68mm	Ambient temperature	-25°C...70°C
Output	NO/NC(depends on part number)	Ambient humidity	35-95%RH
Supply voltage	10...30 VDC	Switching frequency [F]	1500Hz 1000Hz
Standard target	Fe 8*8*1t Fe12*12*1t	Voltage withstand
Switch-point drifts[%/Sr]	≤ ±10%	Insulation resistance	≥50MΩ (500VDC)
Hysteresis range [%/Sr]	1...20%	Vibration resistance	10...50Hz (1.5mm)
Repeat accuracy [R]	≤3%	Degree of protection	IP67
Load current	≤150mA	Housing material	Nickel-copper alloy
Residual voltage	≤2.5V	Connection type	M12 connector

Dimensions



Wiring diagram

