

Standard function type inductive sensors **LR08** series


## Features

- ◆ Non contact detection, safe and reliable;
- ◆ ASIC design;
- ◆ Perfect choice for metallic targets detection;



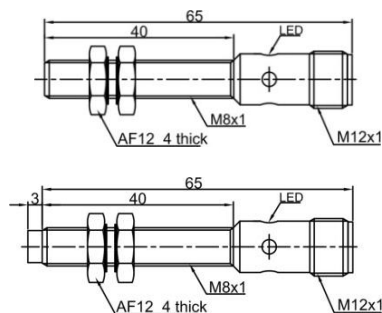
## Part number

|               |                |                 |              |                |                |
|---------------|----------------|-----------------|--------------|----------------|----------------|
| DC 2 wires NO | LR08BF15DLO-E2 | LR08XBN02DLO-E2 | DC 2wires NC | LR08BF15DLC-E2 | LR08BN02DLC-E2 |
|---------------|----------------|-----------------|--------------|----------------|----------------|

## Technical specifications

|                            |                               |           |                         |  |        |
|----------------------------|-------------------------------|-----------|-------------------------|--|--------|
| Mounting                   | Flush                         | Non-flush | Leakage current [Ir]    | ≤1mA   |        |
| Rated distance [Sn]        | 1.5mm                         | 2mm       | Circuit protection      | Short-circuit, overload and reverse polarity |        |
| Assured distance [Sa]      | 0...1.2mm                     | 0...1.6mm | Output indicator        | Yellow LED                                   |        |
| Dimensions                 | M8*65mm M8*68mm               |           | Ambient temperature     | -25°C...70°C                                 |        |
| Output                     | NO/NC(depends on part number) |           | Ambient humidity        | 35-95%RH                                     |        |
| Supply voltage             | 10...30 VDC                   |           | Switching frequency [F] | 1000 Hz                                      | 800 Hz |
| Standard target            | Fe 8*8*1t                     | Fe 8*8*1t | Voltage withstand       | ...  |        |
| Switch-point drifts [%/Sr] | ≤ ± 10%                       |           | Insulation resistance   | ≥ 50MΩ (500VDC)                              |        |
| Hysteresis range [%/Sr]    | 1...20%                       |           | Vibration resistance    | 10...50Hz (1.5mm)                            |        |
| Repeat accuracy [R]        | ≤ 3%                          |           | Degree of protection    | IP67   |        |
| Load current               | ≤ 100mA                       |           | Housing material        | Nickel-copper alloy                          |        |
| Residual voltage           | ≤ 8V                          |           | Connection type         | M12 connector                                |        |

## Dimensions



## Wiring diagram

