

Plastic square shape inductive sensors **LE40SZ** series


## Features

- ◆ Non contact detection, safe and reliable;
- ◆ ASIC design;
- ◆ Perfect choice for metallic target detection;



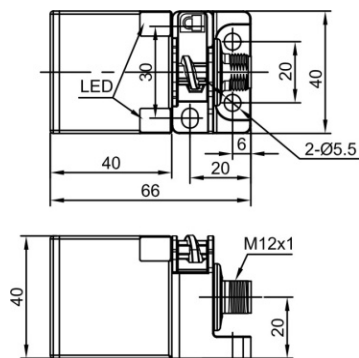
## Part number

AC/DC 2 wires NO LE40SZSF15SBO-E2 LE40SZSN20SBO-E2 AC/DC 2 wires NO/NC LE40SZSF15SBB-E2 LE40SZSN20SBB-E2  
 AC/DC 2 wires NC LE40SZSF15SBC-E2 LE40SZSN20SBC-E2

## Technical specifications

Mounting	Flush	Non-flush	Leakage current [Ir]	AC: ≤3mA	DC: ≤1mA
Rated distance [Sn]	15mm	20mm	Circuit protection	...	
Assured distance [Sa]	0...12mm	0...16mm	Output indicator	Power: green LED	Output: yellow LED
Dimensions	40*40 *66 mm		Ambient temperature	-25°C...70°C	
Output	NO/NC(depends on part number)		Ambient humidity	35-95%RH	
Supply voltage	20...250V AC/DC		Switching frequency [F]	AC:20 Hz, DC: 100 Hz	
Standard target	Fe 45*45*1t	Fe 60*60*1t	Voltage withstand	1000V/AC 50/60Hz 60s	
Switch-point drifts [%/Sr]	≤ ± 10%		Insulation resistance	≥50MΩ (500VDC)	
Hysteresis range [%/Sr]	1...20%		Vibration resistance	10...50Hz (1.5mm)	
Repeat accuracy [R]	≤3%		Degree of protection	IP67	
Load current	AC: ≤300mA	DC: ≤100mA	Housing material	PBT	
Residual voltage	AC: ≤10V	DC: ≤8V	Connection type	M12 connector	

## Dimensions



## Wiring diagram

