

Plastic square shape inductive sensors **LE40** series


Features

- ◆ Non contact detection, safe and reliable;
- ◆ ASIC design;
- ◆ Perfect choice for metallic targets detection;



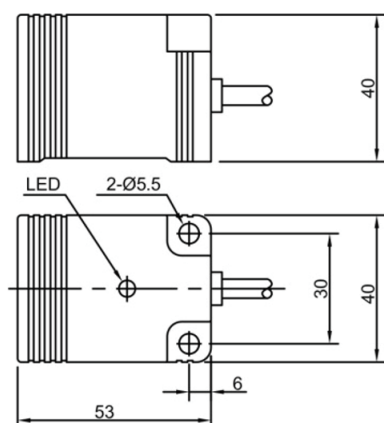
Part number

DC 2 wires NO	LE40SF15DLO	LE40SN20DLO	DC 2 wires NC	LE40SF15DLC	LE40SN20DLC
---------------	-------------	-------------	---------------	-------------	-------------

Technical specifications

Mounting	Flush	Non-flush	Leakage current [Ir]	≤1mA	
Rated distance [Sn]	15mm	20mm	Circuit protection	Short-circuit, overload and reverse polarity	
Assured distance [Sa]	0...12mm	0...16mm	Output indicator	Yellow LED	
Dimensions	40 *40 *53mm		Ambient temperature	-25°C...70°C	
Output	NO/NC(depends on part number)		Ambient humidity	35-95%RH	
Supply voltage	10...30 VDC		Switching frequency [F]	500 Hz	300 Hz
Standard target	Fe 45*45*1t	Fe 60*60*1t	Voltage withstand	1000V/AC 50/60Hz 60s	
Switch-point drifts [%/Sr]	≤ ±10%		Insulation resistance	≥50MΩ (500VDC)	
Hysteresis range [%/Sr]	1...20%		Vibration resistance	10...50Hz (1.5mm)	
Repeat accuracy [R]	≤3%		Degree of protection	IP67	
Load current	≤100mA		Housing material	PBT	
Residual voltage	≤6V		Connection type	2m PVC cable	

Dimensions



Wiring diagram

