

Capacitive sensor CE06X series



Features

- Capable of detection of both metal and non-metal objects, wider range of applications;
- Response frequency up to 100Hz;
- 6.5mm in thickness;
- Multiple installation options available;
- Realization of rapid and precise adjustment through a multi-turn potentiometer;



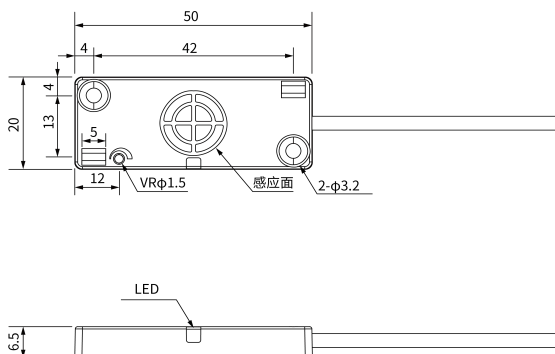
Part number

NPN NO CE06XSN06DNOG

Specifications

Mounting	Non-flush	Current consumption	≤15mA
Rated distance	5mm (Adjustable)	Circuit protection	Reverse polarity
Adjustment distance	2...6mm	Output indicator	Yellow LED
Dimensions	50*20*6.5mm	Ambient temperature	-10 ...55
Output	NPN NO	Ambient humidity	35...95%RH
Supply voltage	10...30 VDC	Switching frequency	100Hz
Standard target	Fe 30*30*1t (Grounded)	High-voltage resistance	1000V/AC 50/60Hz 60s
Switch-point drifts	≤ ±10%	Insulation resistance \ddot{y}	≥ 50M (500VDC)
Hysteresis range	1...20%	Vibration resistance	10...50Hz (1.5mm)
Repeat accuracy	≤ 5%	Protection level	IP67
Load current	≤100mA	Housing material	PBT
Residual voltage	≤2.5V	Connection	2m PVC cable

Dimensions



Wiring diagram

