

Plastic square shape photoelectric sensors **PTE** series


Features

- ◆ Diffuse reflection working principle;
- ◆ Excellent anti-interference performance
- ◆ High detection accuracy

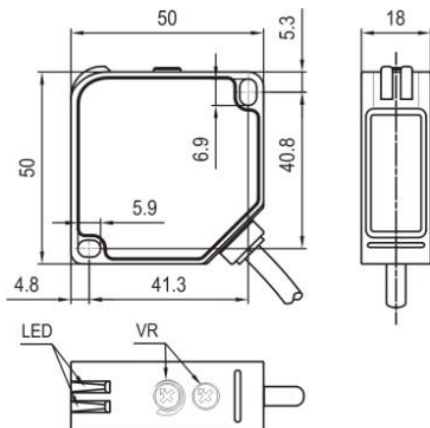
Part number

| | | |
|--------------|------------|-------------|
| Relay output | PTE-BC30SK | PTE-BC200SK |
|--------------|------------|-------------|

Technical specifications

| | | | |
|-------------------------|------------------------------------|-----------------------|--|
| Detection type | Diffuse reflection | Consumption current | ≤35mA |
| Rated distance [Sn] | 30cm(adjustable)200cm (adjustable) | Circuit protection | |
| Standard target | White card reflection rate 90% | Response time | < 10ms |
| Light source | Infrared LED (850nm) | Output indicator | Power: Green LED Output: Yellow LED |
| Dimensions | 50 mm *50 mm *18mm | Ambient temperature | -25°C...+55°C |
| Output | Relay output | Ambient humidity | 35-85%RH (non-condensing) |
| Supply voltage | 24...240VAC/DC | Voltage withstand | 2000V/AC 50/60Hz 60s |
| Target | Opaque object | Insulation resistance | ≥50MΩ(500VDC) |
| Hysteresis range [%/Sr] | 3...20% | Vibration resistance | 10...50Hz (0.5mm) |
| Repeat accuracy [R] | ≤5% | Degree of protection | IP67 |
| Load current | ≤3A | Housing material | PC/ABS |
| Residual voltage | | Connection type | 2m PVC cable |

Dimensions



Wiring diagram

