

Metal cylindrical shape photoelectric sensors **PR30** series


## Features

- ◆ Diffuse reflection working principle;
- ◆ Excellent anti-interference performance
- ◆ High detection accuracy



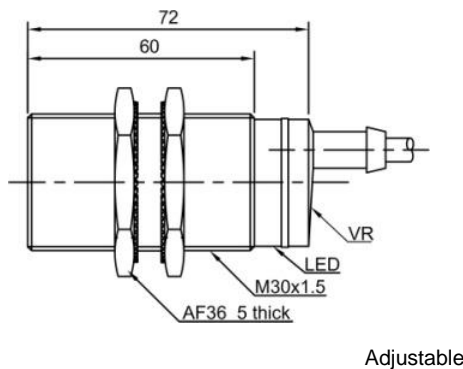
## Part number

AC 2 wires NO	PR30-BC50ATO	PR30-BC100ATO	AC 2 wires NC	PR30-BC50ATC	PR30-BC100ATC
---------------	--------------	---------------	---------------	--------------	---------------

## Technical specifications

Detection type	Diffuse reflection	Consumption current	≤3mA
Rated distance [Sn]	50cm (adjustable)100cm (adjustable)	Circuit protection	.....
Standard target	White card reflection rate 90%	Response time	< 50ms
Light source	Infrared LED (880nm)	Output indicator	Yellow LED
Dimensions	M30*72mm	Ambient temperature	-15°C...+55°C
Output	NO/NC (depends on part No.)	Ambient humidity	35-85%RH (non-condensing)
Supply voltage	20...250 VAC	Voltage withstand	2000V/AC 50/60Hz 60s
Target	Opaque object	Insulation resistance	≥50MΩ(500VDC)
Hysteresis range [%/Sr]	3...20%	Vibration resistance	10...50Hz (0.5mm)
Repeat accuracy [R]	≤5%	Degree of protection	IP67
Load current	≤300mA	Housing material	Nickel-copper alloy
Residual voltage	≤10V	Connection type	2m PVC cable

## Dimensions



## Wiring diagram

