

Metal cylindrical shape capacitive sensors **CR30** series


Features

- ◆ Be able to detect both metal and nonmetal objects;
- ◆ Be able to detect various media via nonmetallic container;
- ◆ Reliable liquid level detecting;

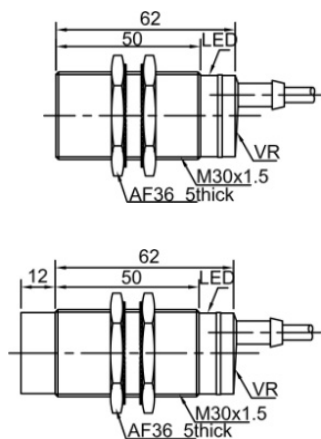
Part number

| | | | | | |
|-----------|-------------|-------------|-----------|-------------|-------------|
| NPN NO | CR30CF10DNO | CR30CN15DNO | PNP NO | CR30CF10DPO | CR30CN15DPO |
| NPN NC | CR30CF10DNC | CR30CN15DNC | PNP NC | CR30CF10DPC | CR30CN15DPC |
| NPN NO+NC | CR30CF10DNR | CR30CN15DNR | PNP NO+NC | CR30CF10DPR | CR30CN15DPR |

Technical specifications

| | | | | |
|----------------------------|-------------------------------|-------------------|-------------------------|--|
| Mounting | Flush | Non-flush | Consumption current | ≤15mA |
| Rated distance [Sn] | 10mm (adjustable) | 15mm (adjustable) | Circuit protection | Short-circuit, overload and reverse polarity |
| Assured distance [Sa] | 0...8mm | 0...12mm | Output indicator | Yellow LED |
| Dimensions | M30*62mm | M30*74mm | Ambient temperature | -25°C...70°C |
| Output | NO/NC(depends on part number) | | Ambient humidity | 35-95%RH |
| Supply voltage | 10...30 VDC | | Switching frequency [F] | 50 Hz |
| Standard target | Fe30*30*1t | Fe 45*45*1t | Voltage withstand | 1000V/AC 50/60Hz 60S |
| Switch-point drifts [%/Sr] | ±20% | | Insulation resistance | ≥50MΩ (500VDC) |
| Hysteresis range [%/Sr] | 3...20% | | Vibration resistance | 10...50Hz (1.5mm) |
| Repeat accuracy [R] | ≤3% | | Degree of protection | IP67 |
| Load current | ≤200mA | | Housing material | Nick-copper alloy |
| Residual voltage | ≤2.5V | | Connection type | 2m PVC cable |

Dimensions



Wiring diagram

