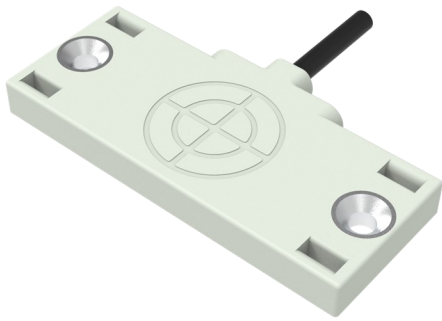


## Rectangular capacitive sensor **CE05** series



### Features:

- 5.5mm ultra-thin shape
- Screw mounting and strap mounting are optional
- Adjustable detection distance
- Simultaneous detection of metallic and non-metallic objects

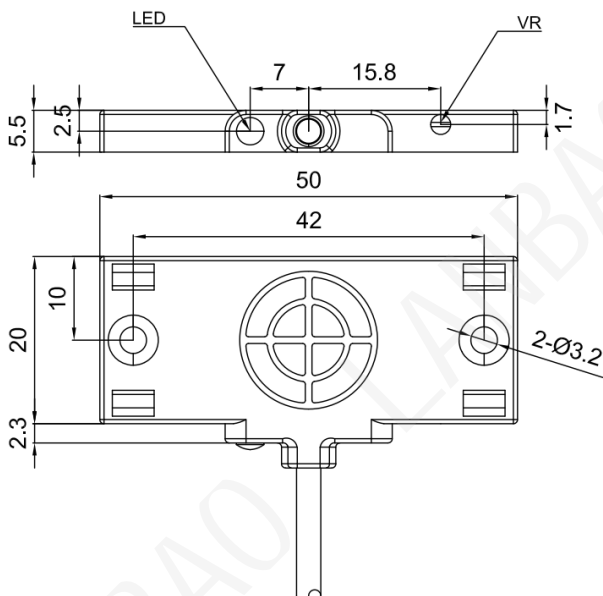


Part number			
NPN NO	CE05SN06DNOG	PNP NO	CE05SN06DPOG
NPN NC	CE05SN06DNCG	PNP NC	CE05SN06DPCG

### Specifications

Installation	Non-flush	Protection circuit	Reverse polarity protection
Rated distance Sn	5mm(Adjustable)	Output indicator	Yellow LED
Adjustable distance	2...6mm	Ambient temperature	-10°C...55°C
Shape size	20*50*5.5mm	Ambient humidity	35...95%RH
Output	NO/NC(Depending on model)	Switch frequency	100Hz
Supply voltage	10...30 VDC	Impulse resistance	1000V/AC 50/60Hz 60s
Standard target	Fe 30*30*1t(Ground)	Insulation resistance	≥50MΩ(500VDC)
Switch point offset	≤±10%	Vibration resistance	Complex amplitude 1.5mm 10...50Hz (2h each in X,Y,Z directions)
Hysteresis range	1...20%	Protection degree	IP67
Repeated error	≤5%	Housing material	PBT
Load current	≤100mA	Connection	2m PVC cable
Residual voltage	≤2.5V		
Current consumption	≤15mA		

### Dimensions



### Wiring Diagram

